



PARTS CATALOG

Published

2008/7 (Jul.)

0CNP3-G57400

SPECIFICATIONS

Model			Te200
Engine	Model		YANMAR GE20
	Type		SIDE - VALVE
	Starting		Recoil
	Displacement	cc	78
	Output(Max)	ps/rpm	2.0/3600
	Air Cleaner		DRY ELEMENT
	Fuel Tank Cap.	lit.	1.2
Dimensions	Overall Length	mm	1210
	Overall Width	mm	610
	Overall Height	mm	980
Weight(Dry)		kg	27
Speed - Change	Speeds		F1
Axle	Shape of Axle	mm	φ 20
	Max Rotor Dia.	mm	φ 330
Clutch	Main Clutch		Belt Tension(Deadman Clutch)
Hitch			Yes
Adjusting Handle	Vertically		Yes(3)
Tine Cover			Standard
Transport Wheel			Option

*Specifications are subject to change without prior notice.

CONTENTS

MODEL : TE200(
PC NO : 0CNP3-G57400

- Fig.No. GROUP NAME
- ENGINE UNIT(MODEL GE20E-DK1)
1. CYLINDER BLOCK
 2. CRANKSHAFT & PISTON
 3. LABEL
 4. CYLINDER HEAD&AIR CLEAN.
 5. CAMSHAFT&GOVERNOR
 6. FLY.MAGNET & STARTING DEVICE
 7. FUEL PIPE
 8. CARBURETOR
 9. CONTROLLING DEVICE

- PULLEY & TENSION SEC
10. ENGINE MOUNTING
 11. ENGINE & MAIN PULLEYS
 12. TENSION CLUTCH

- TRANSMISSION UNIT
13. TRANSMISSION CASE
 14. MAIN SHAFT
 15. COUNTER SHAFT
 16. SPEED REDUCTION SHAFT
 17. AXLE

- WHEEL SECTION
18. FENDER
 19. AXLE ROTOR

- HANDLE SECTION
20. HANDLE COLUMN
 21. HANDLE

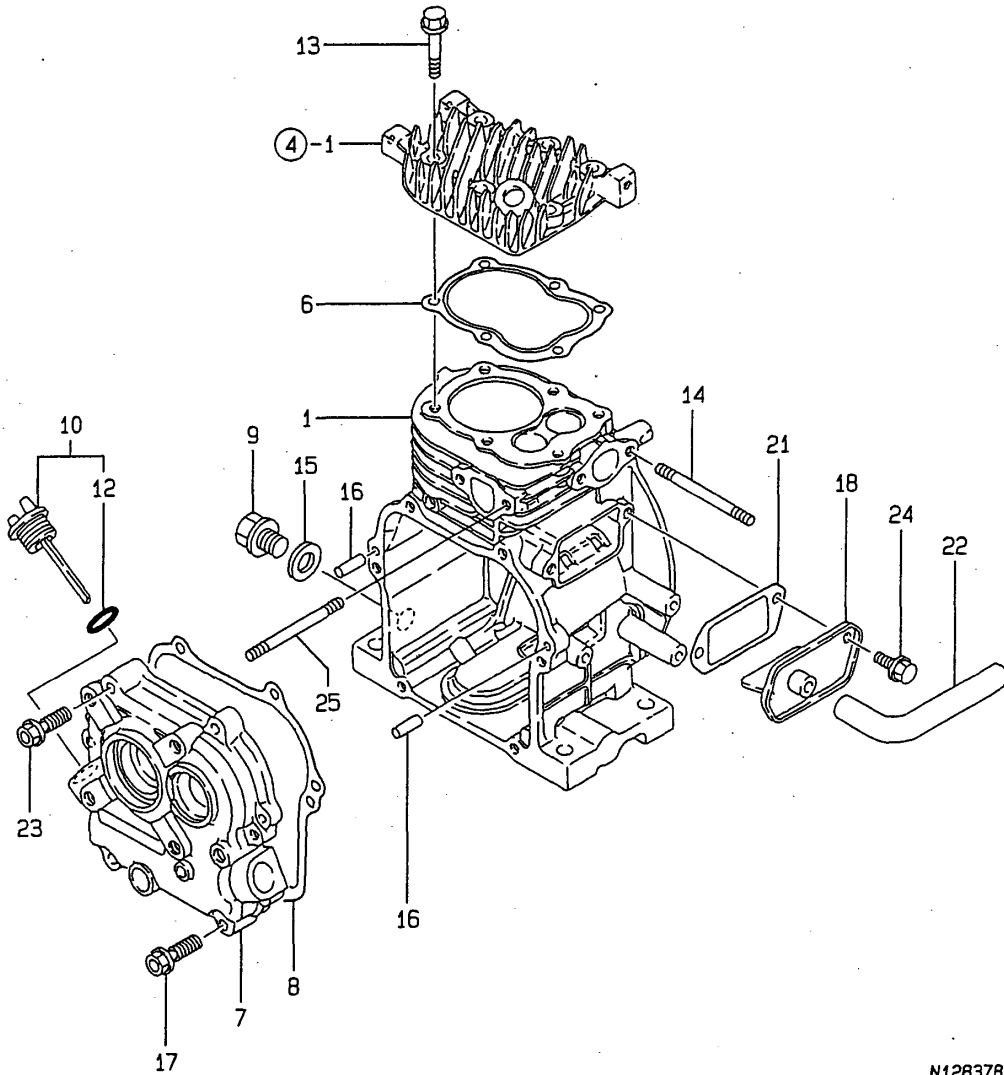
- Fig.No. GROUP NAME
22. COTROL LEVER(E

- ENGINE FRAME SECTION
23. ENGINE FRAME
 24. REAR HITCH
 25. BELT COVER
 26. FUEL TANK
 27. BONNET W
 28. SKID

- LABELS & ACCESSORIES
29. ELECTRICAL PARTS
 30. LABELS
 31. TOOLS & ACCESSORIES

Fig.1. CYLINDER BLOCK

1. CYLINDER BLOCK



N128378

Remarks
 (REMARKS)"EFFECTIVE MACHINE NO." OF
 ENGINE IS INDICATED ON THE
 ENGINE LABEL WHICH IS SHOWN
 IN FIG.6.

0CNP3-G57400 1. CYLINDER BLOCK

(A)=GE20E-DK1

(B)=

(C)=

(D)=

(E)=

(F)=

REF.	LEV.	PARTS NO.	DESCRIPTION	Q'TY						I	R
				(A)	(B)	(C)	(D)	(E)	(F)		
1	1	160664-01011	BLOCK ASSY, CYLINDER	1							
6	1	160664-01340	GASKET, CYL. HEAD	1							
7	1	160664-01401	COVER, CRANKCASE	1							
8	1	160664-01411	GASKET, CRANK CASE	1							
9	1	160610-01690	PLUG, DRAIN	2							
10	1	160560-01740	CAP ASSY, OIL FILLER	1							
12	2	24311-000150	O-RING 1A P-15.0	1							
13	1	160610-04360	BOLT M6X 35	6							
14	1	160610-04570	BOLT M 6X 70	2							
15	1	104200-59170	GASKET 12	2							
16	1	22312-060160	PIN 6X16,STRAIGHT	2							
17	1	26476-060252	BOLT M 6X 25,TAPPING	5							
18	1	160662-03010	BREATHER ASSY	1							
21	1	160662-03070	GASKET, BREATHER	1							
22	1	160510-03180	PIPE, BREATHER	1							
23	1	160610-04390	BOLT M6X 32	1							
24	1	26476-060142	BOLT M 6X 14,TAPPING	2							
25	1	160610-04570	BOLT M 6X 70	2							

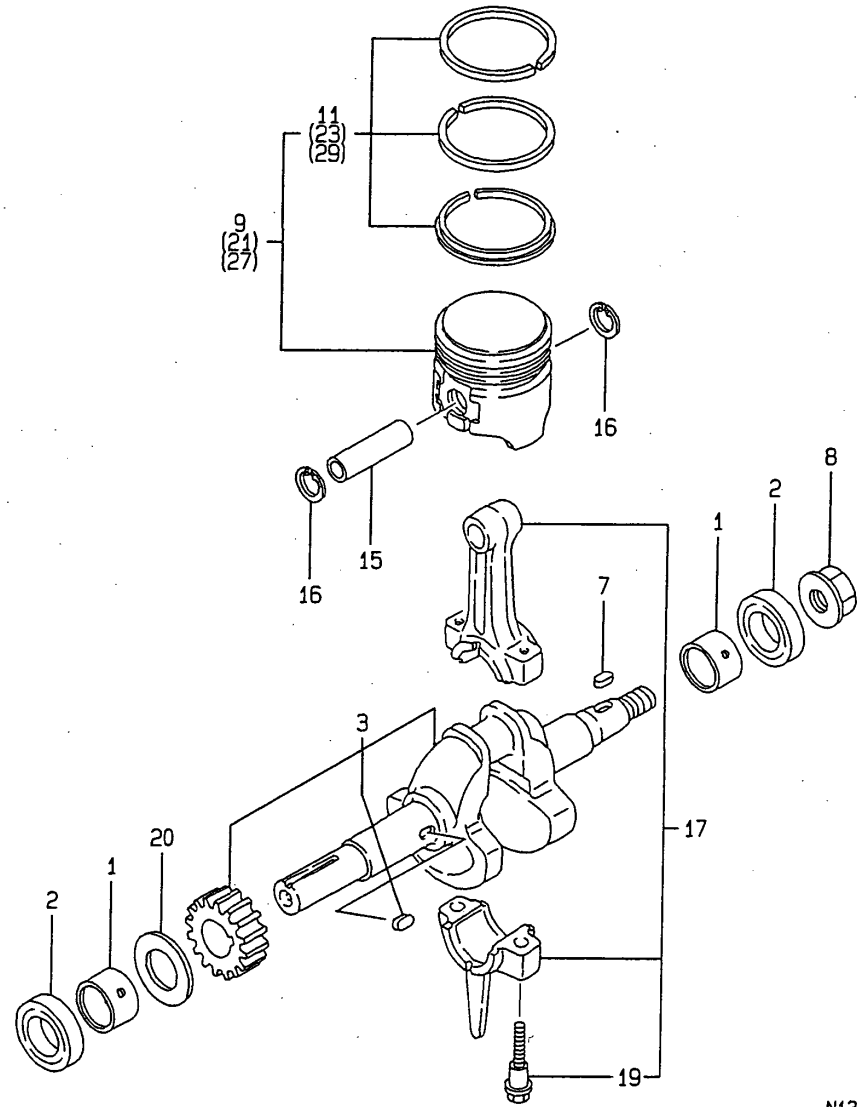
Fig.2. CRANKSHAFT & PISTON

0CNP3-G57400 2. CRANKSHAFT & PISTON

(A)=GE20E-DK1
(B)=
(C)=

(D)=
(E)=
(F)=

2. CRANKSHAFT & PISTON



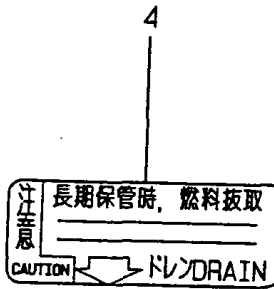
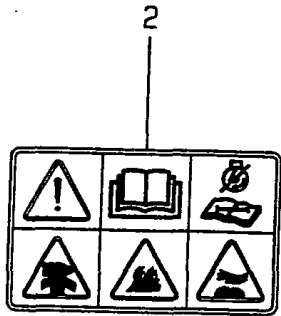
REF.	LEV.	PARTS NO.	DESCRIPTION	QTY						I	R
				(A)	(B)	(C)	(D)	(E)	(F)		
1	1	160664-02100	MAIN BEARING	2							
2	1	160510-02220	SEAL, OIL	2							
3	1	760664-21710	CRANKSHAFT ASSY	1							
7	1	160610-21290	KEY 4X 10	1							
8	1	26376-100002	U-NUT M10	1							
9	1	160660-22010	PISTON ASSY	1							
11	2	760660-22500	RING SET, PISTON	1							
15	1	160664-22300	PIN, PISTON	1							
16	1	22252-000110	CIRCLIP 11	2							
17	1	760664-23710	ROD ASSY, CONNECTING	1							
19	2	160664-23201	BOLT (M5), ROD	2							
20	1	160664-21250	WASHER	1							
21	1	160664-22471	PISTON W/RING OS=.25	1							1
23	2	760664-22541	RING SET O.S=.0.25	1							1
27	1	160664-22481	PISTON W/RING OS=0.5	1							1
29	2	760664-22551	RING SET O.S=0.5	1							1

N128379

Remarks
(1) OVER-SIZED PART.
(REMARKS)"EFFECTIVE MACHINE NO." OF
ENGINE IS INDICATED ON THE
ENGINE LABEL WHICH IS SHOWN
IN FIG.6.

Fig.3. LABEL

3. LABEL



0CNP3-G57400 3. LABEL

(A)=GE20E-DK1

(B)=

(C)=

(D)=

(E)=

(F)=

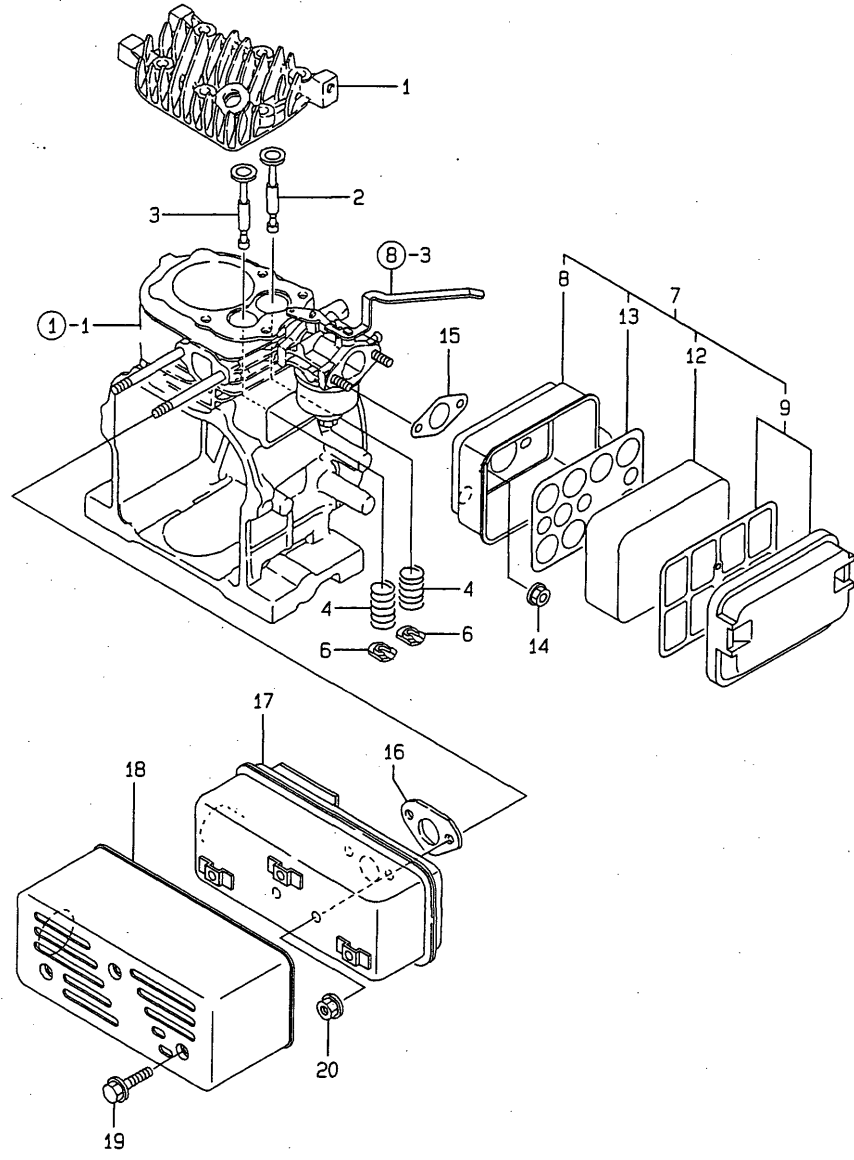
REF.	LEV.	PARTS NO.	DESCRIPTION	QTY						I	R	
				(A)	(B)	(C)	(D)	(E)	(F)			
2	1	160991-07260	LABEL	1								
3	1	160664-07110	LABEL "NICE START"	1								
4	1	160520-07272	LABEL, DRAIN	1								

Remarks

(REMARKS)"EFFECTIVE MACHINE NO." OF ENGINE IS INDICATED ON THE ENGINE LABEL WHICH IS SHOWN IN FIG.6.

Fig.4. CYLINDER HEAD&AIR CLEAN.

4. CYLINDER HEAD&AIR CLEAN.



Remarks
 (REMARKS)"EFFECTIVE MACHINE NO." OF
 ENGINE IS INDICATED ON THE
 ENGINE LABEL WHICH IS SHOWN
 IN FIG.6.

OCNP3-G57400 4. CYLINDER HEAD&AIR CLEAN.

(A)=GE20E-DK1

(B)=

(C)=

(D)=

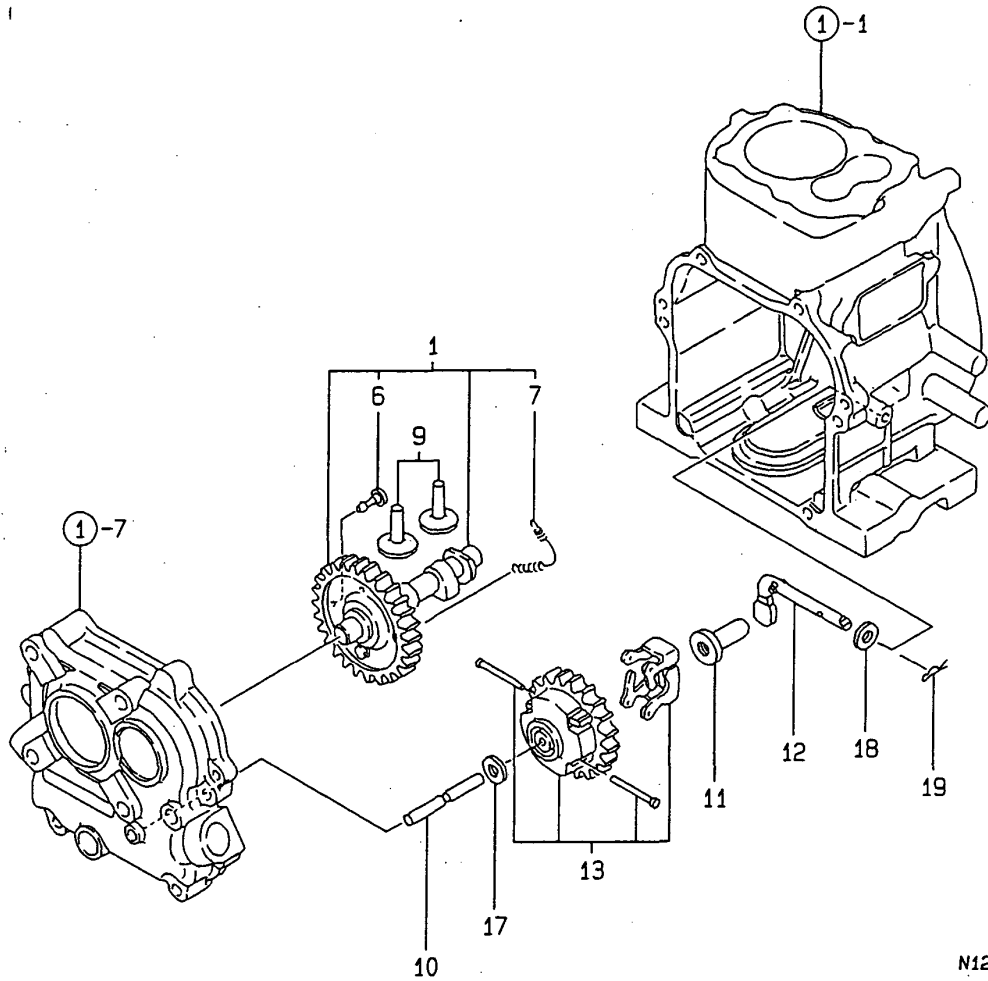
(E)=

(F)=

REF.	LEV.	PARTS NO.	DESCRIPTION	QTY						I	R
				(A)	(B)	(C)	(D)	(E)	(F)		
1	1	160660-11010	HEAD, CYLINDER	1							
2	1	160664-11100	INLET VALVE	1							
3	1	160664-11110	EXHAUST VALVE	1							
4	1	160490-11120	SPRING, VALVE	2							
6	1	160664-11180	RETAINER, VALVE	2							
7	1	160662-12500	CLEANER, AIR	1							
8	2	160662-12620	BODY,AIR CLEANER	1							
9	2	160662-12510	CAP, AIR CLEANER	1							
12	2	160520-12540	ELEMENT, AIR CLEANER	1							
13	2	160520-12550	PLATE (A), ELEMENT	1							
14	1	26366-060002	NUT M 6	2							
15	1	160510-56151	GASKET, CARBURETOR	1							
16	1	160664-13201	GASKET, SILENCER	1							
17	1	160662-13520	MUFLLER	1							
18	1	160662-13550	COVER,MUFLLER	1							
19	1	160999-78970	SCREW M5X8	3							
20	1	26366-060002	NUT M 6	2							

Fig.5. CAMSHAFT&GOVERNOR

5. CAMSHAFT&GOVERNOR



OCNP3-G57400 5. CAMSHAFT&GOVERNOR

(A)=GE20E-DK1

(B)=

(C)=

(D)=

(E)=

(F)=

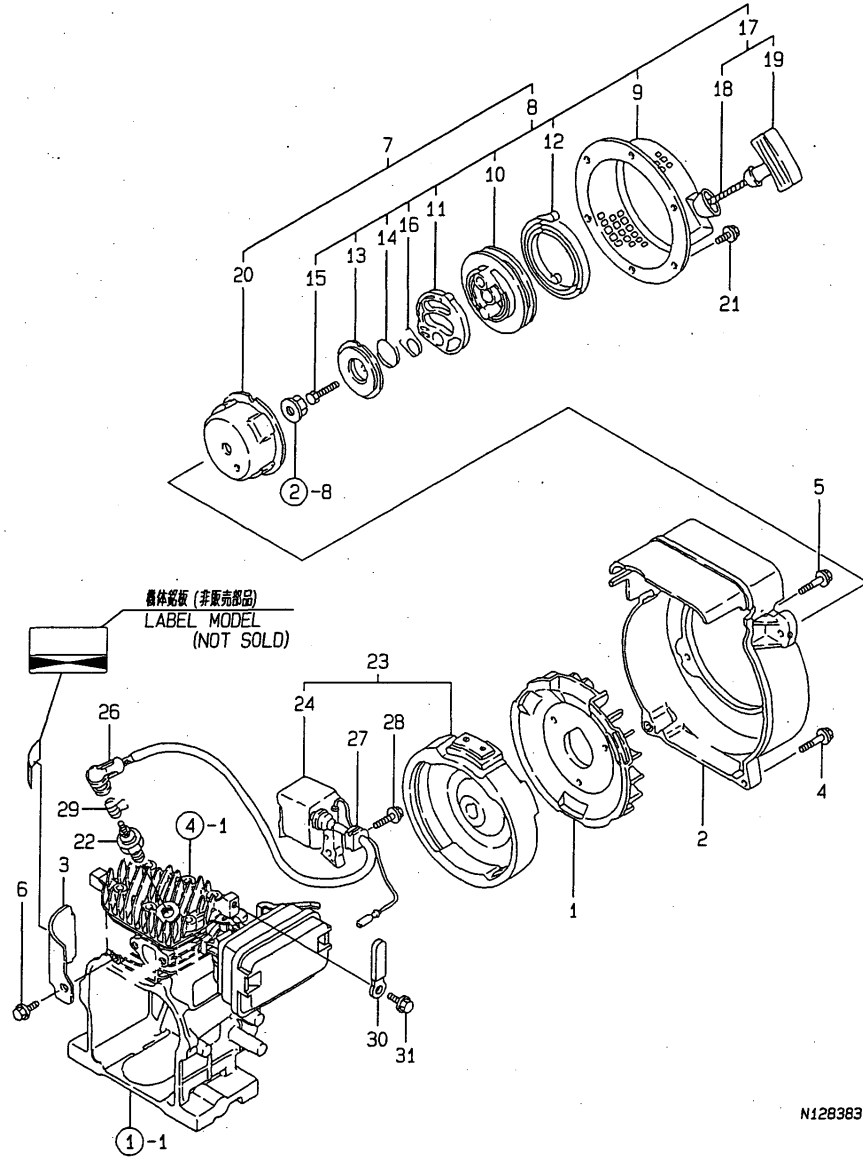
REF.	LEV.	PARTS NO.	DESCRIPTION	QTY						I	R
				(A)	(B)	(C)	(D)	(E)	(F)		
1	1	160667-14100	CAMSHAFT ASSY	1							
6	2	160664-14550	PIN, DECOMP.	1							
7	2	160664-14560	SPRING, DECOMP.	2							
9	1	160664-14200	TAPPET	2							
10	1	160610-61100	SHAFT, GOVERNOR	1							
11	1	160610-61300	SPINDLE, GOVERNOR	1							
12	1	160664-61310	SHAFT, GOV. LEVER	1							
13	1	160664-61600	GEAR ASSY, GOVERNOR	1							
17	1	160120-76940	WASHER	1							
18	1	22137-060000	WASHER 6, POLISHED	1							
19	1	22360-060000	SNAP PIN 6	1							

N128382

Remarks
 (REMARKS)"EFFECTIVE MACHINE NO." OF
 ENGINE IS INDICATED ON THE
 ENGINE LABEL WHICH IS SHOWN
 IN FIG.6.

Fig.6. FLY.MAGNET & STARTING DEVICE

6. FLY.MAGNET & STARTING DEVICE



Remarks
 (REMARKS)"EFFECTIVE MACHINE NO." OF
 ENGINE IS INDICATED ON THE
 ENGINE LABEL WHICH IS SHOWN
 IN FIG.6.

OCNP3-G57400 6. FLY.MAGNET & STARTING DEVICE

(A)=GE20E-DK1

(B)=

(C)=

(D)=

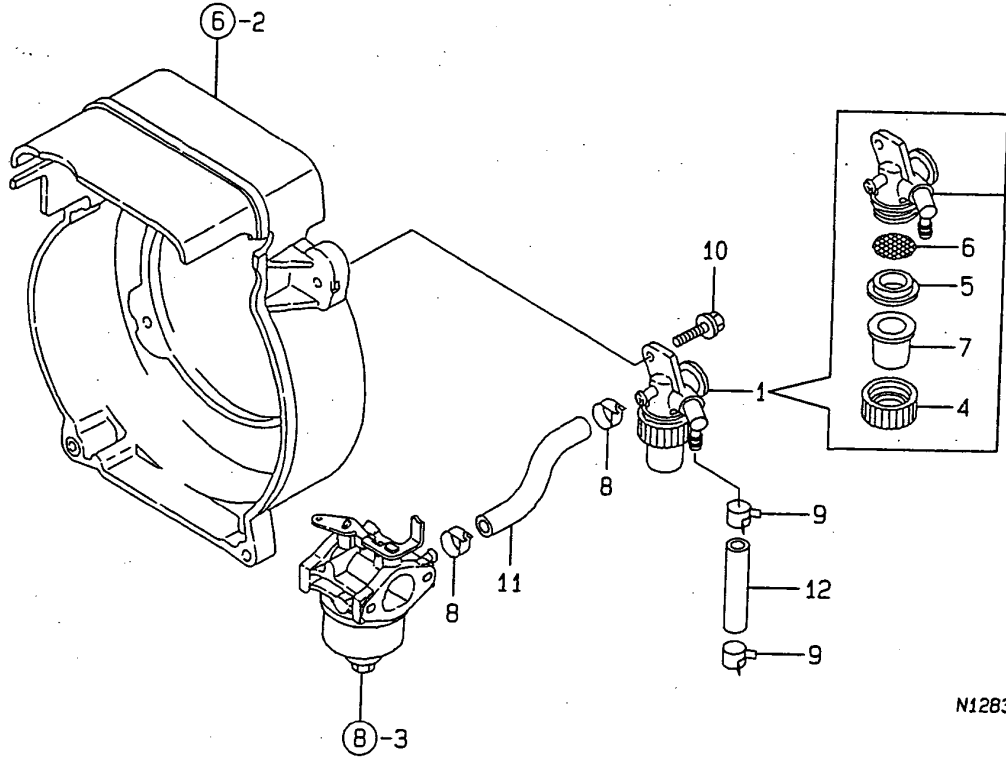
(E)=

(F)=

REF.	LEV.	PARTS NO.	DESCRIPTION	QTY						I	R
				(A)	(B)	(C)	(D)	(E)	(F)		
1	1	160664-45010	FAN, FLYWHEEL	1							
2	1	160662-45110	CASE, FAN	1							
3	1	160664-45200	COVER, CYLINDER	1							
4	1	26476-060252	BOLT M 6X 25,TAPPING	3							
5	1	26476-060302	BOLT M 6X 30,TAPPING	1							
6	1	26476-060142	BOLT M 6X 14,TAPPING	1							
7	1	160664-76050	STARTER ASSY, RECOIL	1							
8	2	160664-76260	STARTER ASSY, RECOIL	1							
9	3	160664-76510	CASE ASSY, STARTER	1							
10	3	160664-76520	REEL	1							
11	3	160664-76530	RATCHT	1							
12	3	160667-76540	SPRING, SPIRAL	1							
13	3	160664-76580	PLATE, FRICTION	1							
14	3	160667-76560	SPRING, FRICTION	1							
15	3	160667-76570	BOLT	1							
16	3	160667-76550	SPRING, RETURN	1							
17	3	160664-76610	ROPE ASSY, STARTER	1							
18	4	160664-76620	ROPE, STARTER	1							
19	4	160664-76630	KNOB, STARTER	1							
20	2	160664-76590	PULLEY, STARTER	1							
21	1	26106-060082	BOLT M 6X 8 PLATED	3							
22	1	160560-78010	PLUG, SPARK	1							
23	1	160667-78060	MAGNETO ASSY	1							
24	2	160667-78510	IGNITION COIL	1							
26	1	160520-78050	CAP, SPARK PLUG	1							
27	1	160700-78720	GROMMET	1							
28	1	26476-060252	BOLT M 6X 25,TAPPING	2							
29	1	160700-78050	TERMINAL, PLUG	1							
30	1	160710-78710	CLAMP, CORD	1							
31	1	26476-060142	BOLT M 6X 14,TAPPING	1							

Fig.7. FUEL PIPE

7. FUEL PIPE



N128384

0CNP3-G57400 7. FUEL PIPE

(A)=GE20E-DK1
(B)=
(C)=

(D)=
(E)=
(F)=

REF.	LEV.	PARTS NO.	DESCRIPTION	QTY						I	R
				(A)	(B)	(C)	(D)	(E)	(F)		
1	1	160662-55300	COCK, FUEL	1							
4	2	160710-55360	RING	1							
5	2	160710-55370	GASKET	1							
6	2	160710-55382	FILTER	1							
7	2	160610-55390	CUP, COCK	1							
8	1	124722-59050	CLAMP 9	2							
9	1	106990-44660	CLIP, HOSE	2							
10	1	26106-060122	BOLT M 6X 12 PLATED	1							
11	1	160610-59160	PIPE, FUEL	1							
12	1	160693-59350	PIPE, FUEL OIL	1							

Remarks
(REMARKS) "EFFECTIVE MACHINE NO." OF
ENGINE IS INDICATED ON THE
ENGINE LABEL WHICH IS SHOWN
IN FIG.6.

Fig.8. CARBURETOR

(A)=GE20E-DK1

(B)=

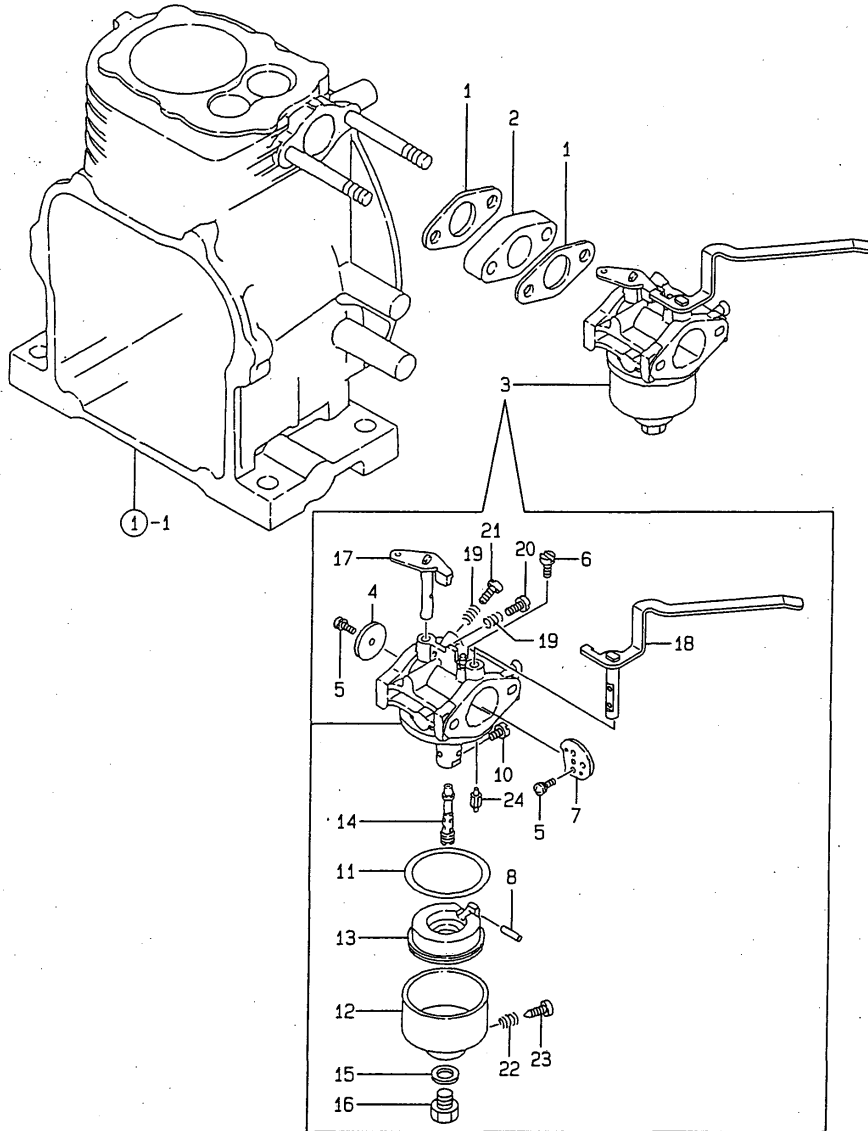
(C)=

(D)=

(E)=

(F)=

8. CARBURETOR



REF.	LEV.	PARTS NO.	DESCRIPTION	QTY						I	R
				(A)	(B)	(C)	(D)	(E)	(F)		
1	1	160664-56151	GASKET, CABURETOR	2							
2	1	160664-56160	SPACER, CARBURETOR	1							
3	1	160662-56021	CARBURETOR ASSY	1							
4	2	160580-56760	VALVE, THROTTLE	1							
5	2	160710-56710	SCREW	1							
6	2	160664-56741	JET, PILOT	1							
7	2	160510-56680	VALVE	1							
8	2	160667-56630	PIN, FLOAT	1							
10	2	160590-56771	MAIN JET	1							
11	2	160510-56610	GASKET	1							
12	2	160490-56590	BODY,FLOAT	1							
13	2	160510-56620	FLOAT ASSY	1							
14	2	160510-56800	NOZZLE, MAIN	1							
15	2	160495-56600	GASKET	1							
16	2	160490-56600	BOLT	1							
17	2	160510-56770	SHAFT, THROTTLE	1							
18	2	160662-56520	SHAFT, CHOKE	1							
19	2	181130-56640	SPRING	2							
20	2	160610-56370	SCREW	1							
21	2	160610-56750	SCREW	1							
22	2	181230-56380	SPRING	1							
23	2	160610-56900	SCREW	1							
24	1	160510-56280	NEEDLE VALVE ASY,SUS	1							1

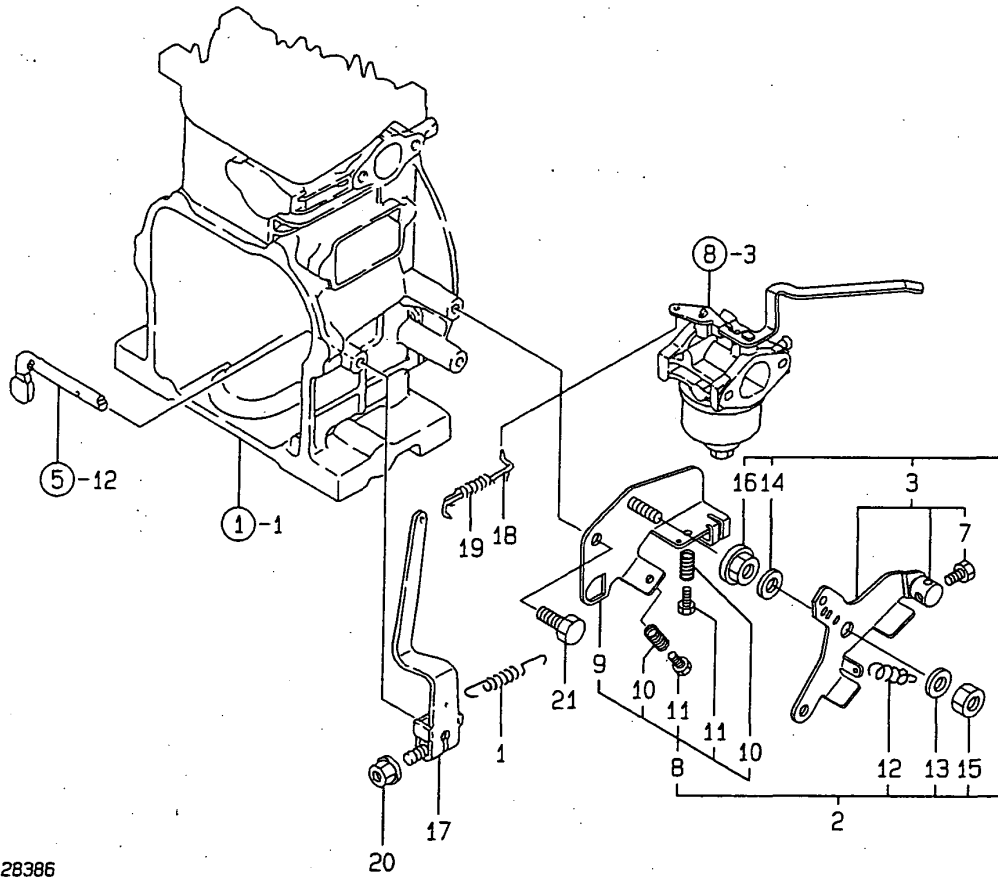
N128385

Remarks

(1) REPAIR PART.
 (REMARKS)"EFFECTIVE MACHINE NO." OF
 ENGINE IS INDICATED ON THE
 ENGINE LABEL WHICH IS SHOWN
 IN FIG.6.

Fig.9. CONTROLLING DEVICE

9. CONTROLLING DEVICE



N128386

0CNP3-G57400 9. CONTROLLING DEVICE

(A)=GE20E-DK1

(B)=

(C)=

(D)=

(E)=

(F)=

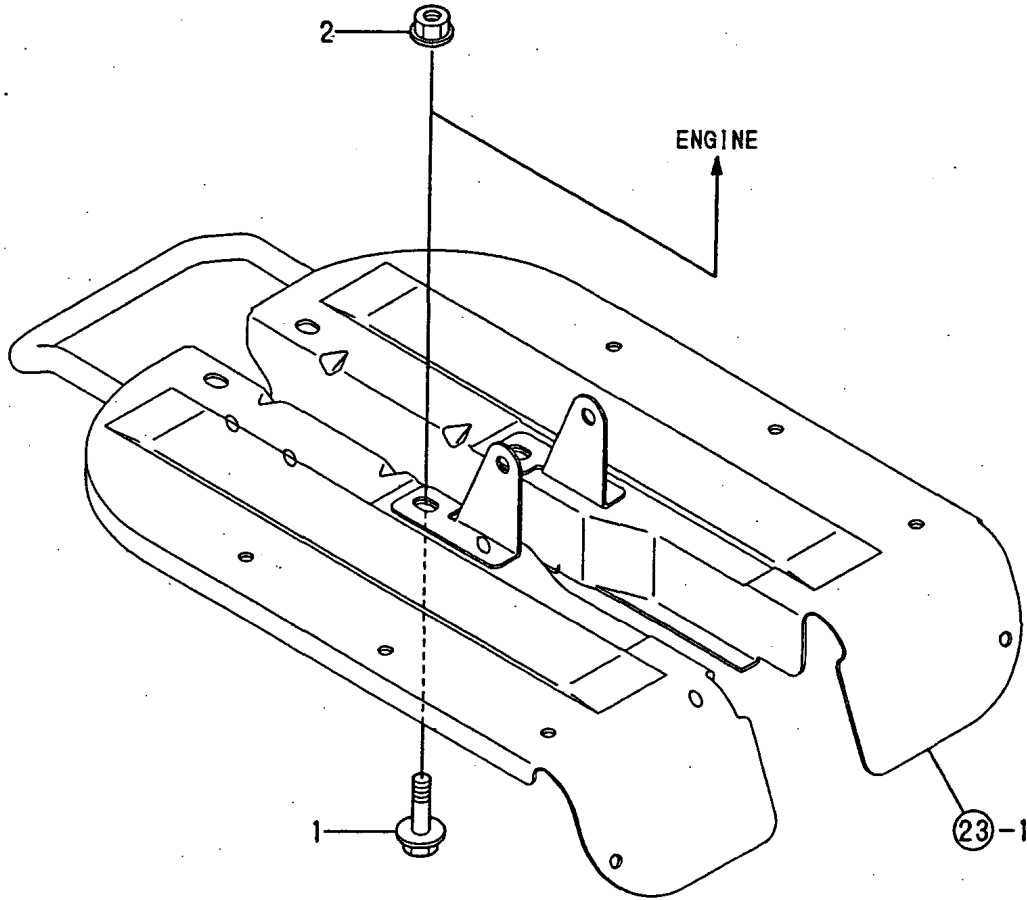
REF.	LEV.	PARTS NO.	DESCRIPTION	QTY						I	R
				(A)	(B)	(C)	(D)	(E)	(F)		
1	1	160662-66010	SPRING, REGULATOR	1							
2	1	160662-66100	CONTROL ASSY	1							
3	2	160692-66051	LEVER ASSY, CONTROL	1							
7	3	26117-040088	BOLT M 4X 8 PLATED	1							
8	2	160662-66110	BASE ASSY, CONTROL	1							
9	3	160662-66120	BRACKET, CONTROLLER	1							
10	3	160520-66291	SPRING	2							
11	3	26117-040257	BOLT M 4X 25	2							
12	2	160664-66220	SPRING, RETURN	1							
13	2	160670-66350	COLLAR	1							
14	2	160120-76940	WASHER	1							
15	2	26347-060002	U-NUT M 6	1							
16	2	26366-060002	NUT M 6	1							
17	1	160662-66150	LEVER, GOVERNOR	1							
18	1	160664-66200	THROTTLE LINK	1							
19	1	160664-66211	SPRING, THROTTLE	1							
20	1	26366-060002	NUT M 6	1							
21	1	26476-060142	BOLT M 6X 14, TAPPING	1							

Remarks

(REMARKS) "EFFECTIVE MACHINE NO." OF ENGINE IS INDICATED ON THE ENGINE LABEL WHICH IS SHOWN IN FIG.6.

Fig.10. ENGINE MOUNTING

10. ENGINE MOUNTING



OCNP3-G57400 10. ENGINE MOUNTING

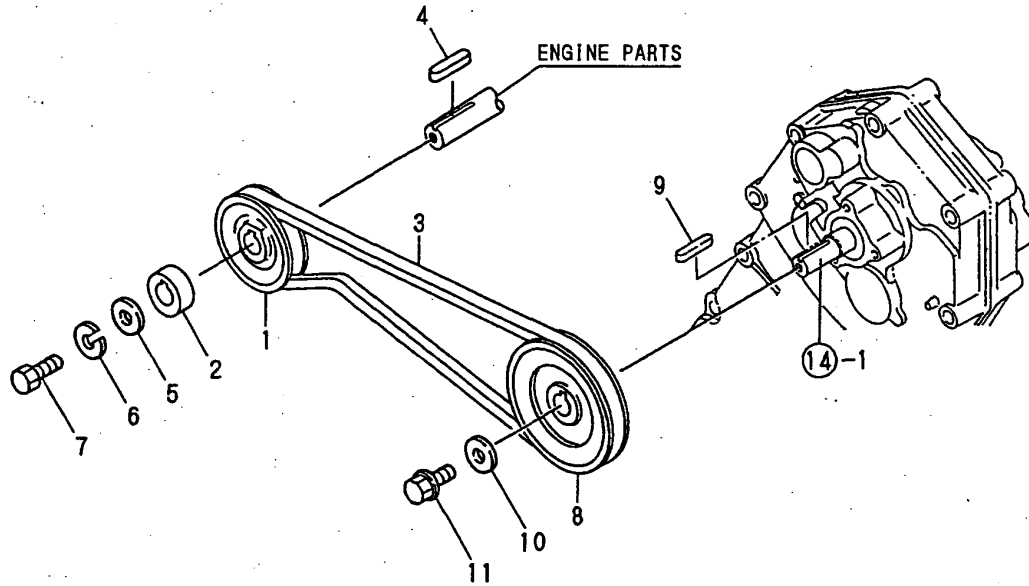
(A)=TE200
(B)=
(C)=

(D)=
(E)=
(F)=

REF.	LEV.	PARTS NO.	DESCRIPTION	QTY						I	R
				(A)	(B)	(C)	(D)	(E)	(F)		
1	1	26107-080302	BOLT M 8X 30 PLATED	4							
2	1	26367-080002	U-NUT M 8	4							

Fig.11. ENGINE & MAIN PULLEYS

11. ENGINE & MAIN PULLEYS



OCNP3-G57400 11. ENGINE & MAIN PULLEYS

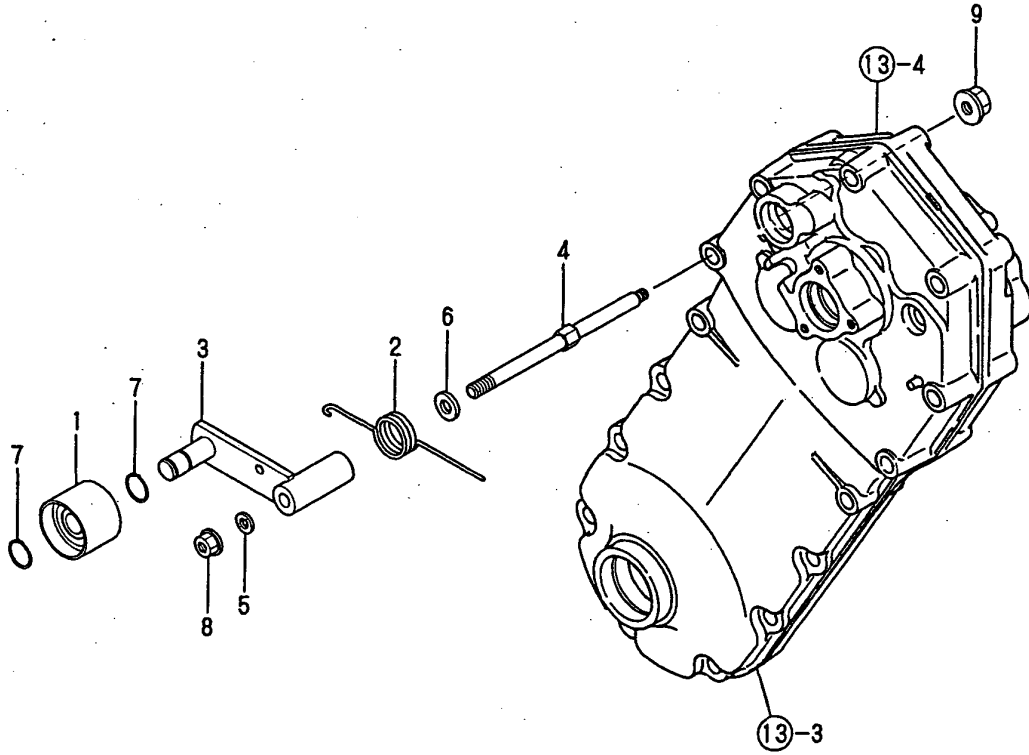
(A)=TE200
(B)=
(C)=

(D)=
(E)=
(F)=

REF.	LEV.	PARTS NO.	DESCRIPTION	QTY						I	R
				(A)	(B)	(C)	(D)	(E)	(F)		
1	1	1A2190-12100	V-PULLEY 65A	1							
2	1	1A2190-12110	COLLAR,PULLEY	1							
3	1	25112-002900	V-BELT	1							
4	1	1D1630-51050	KEY 4X25	1							
5	1	22157-060000	WASHER 6	1							
6	1	22217-060000	SPRING WASHER 6	1							
7	1	26117-060162	BOLT M 6X 16 PLATED	1							
8	1	1A2190-13300	V-PULLEY 90A	1							
9	1	1D1630-51050	KEY 4X25	1							
10	1	22157-060000	WASHER 6	1							
11	1	26107-060122	BOLT M 6X 12 PLATED	1							

Fig.12. TENSION CLUTCH

12. TENSION CLUTCH



OCNP3-G57400 12. TENSION CLUTCH

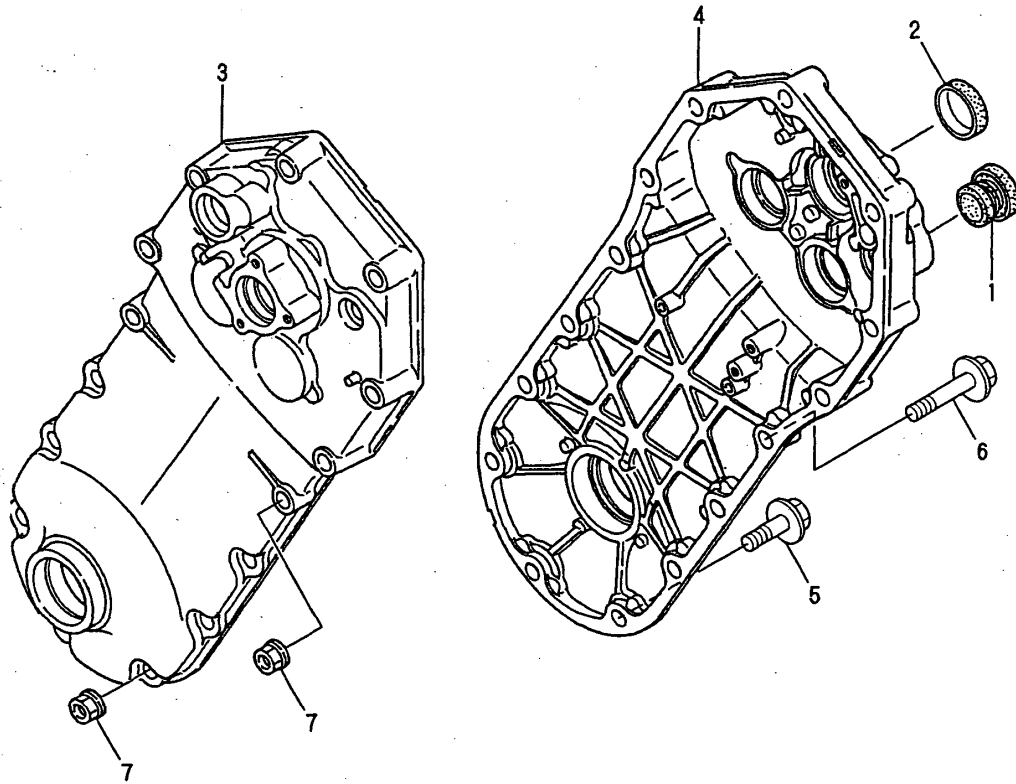
(A)=TE200
(B)=
(C)=

(D)=
(E)=
(F)=

REF.	LEV.	PARTS NO.	DESCRIPTION	QTY						I	R	
				(A)	(B)	(C)	(D)	(E)	(F)			
1	1	1A2320-13100	ROLLER COMP.,TENSION	1								
2	1	1A2191-13401	SPRING,TENS'N RETURN	1								
3	1	1A2191-13610	ARM COMP.,TENSION	1								
4	1	1A2191-13700	BOLT,TENSION	1								
5	1	22137-060000	WASHER 6, POLISHED	1								
6	1	22137-080000	WASHER 8, POLISHED	1								
7	1	22242-000120	CIRCLIP 12	2								
8	1	26367-060002	NUT M 6	1								
9	1	26367-080002	U-NUT M 8	1								

Fig.13. TRANSMISSION CASE

13. TRANSMISSION CASE



OCNP3-G57400 13. TRANSMISSION CASE

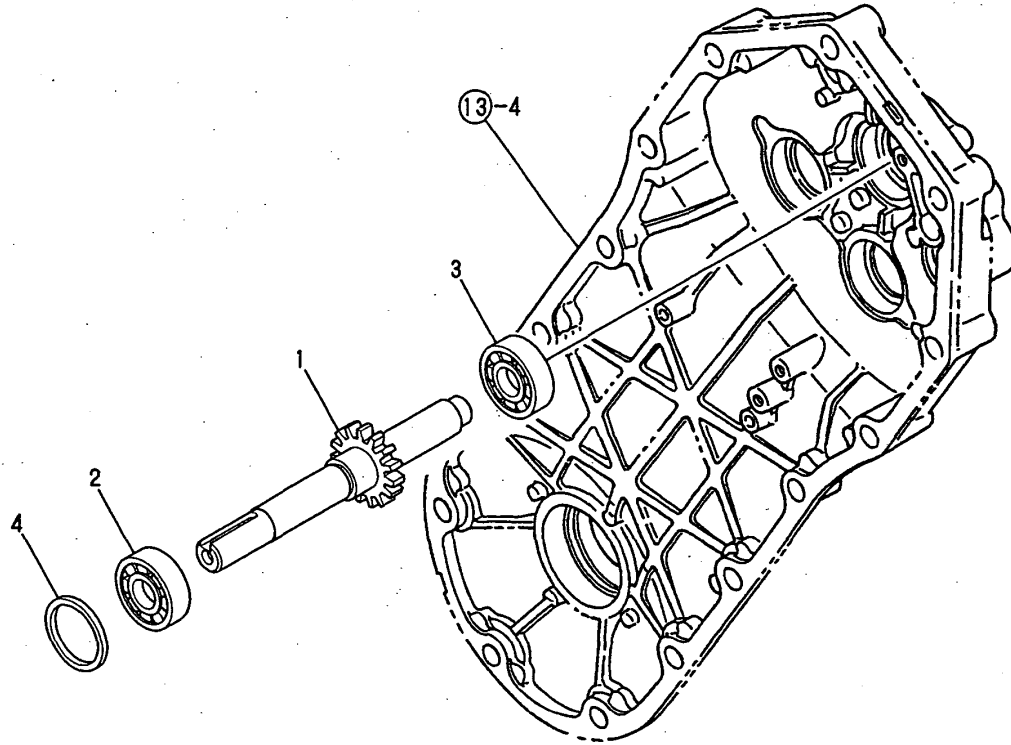
(A)=TE200
(B)=
(C)=

(D)=
(E)=
(F)=

REF.	LEV.	PARTS NO.	DESCRIPTION	QTY						I	R
				(A)	(B)	(C)	(D)	(E)	(F)		
1	1	1A1470-20090	CAP 35,OIL FILLER	1							
2	1	1A1750-20410	CAP 30X5,SEAL	1							
3	1	1A2190-21000	CASE L,TRANSMISSION	1							
4	1	1A2190-21010	CASE R,TRANSMISSION	1							
5	1	26107-080252	BOLT M 8X 25 PLATED	7							
6	1	26107-080452	BOLT M 8X 45 PLATED	1							
7	1	26367-080002	U-NUT M 8	8							

Fig.14. MAIN SHAFT

14. MAIN SHAFT



OCNP3-G57400 14. MAIN SHAFT

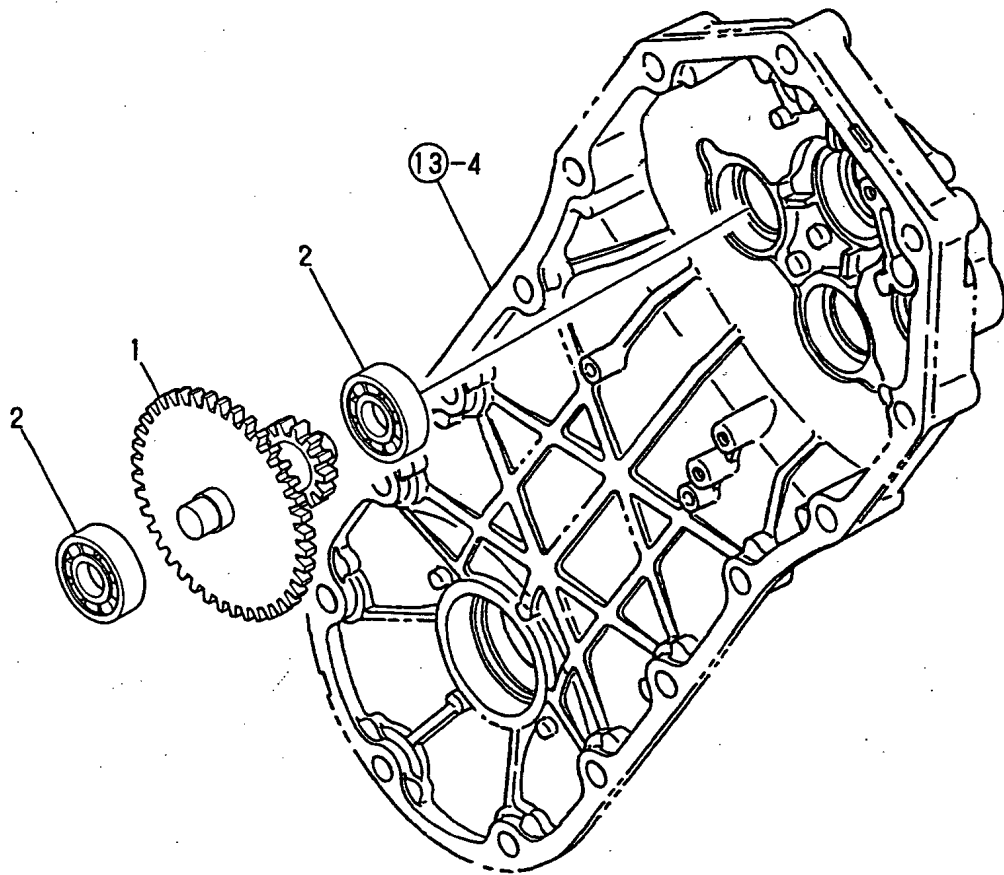
(A)=TE200
(B)=
(C)=

(D)=
(E)=
(F)=

REF.	LEV.	PARTS NO.	DESCRIPTION	QTY						I	R	
				(A)	(B)	(C)	(D)	(E)	(F)			
1	1	1A2191-23050	SHAFT,MAIN	1								
2	1	24101-060024	BALL BEARING	1								
3	1	24101-062014	BALL BEARING	1								
4	1	24421-152507	SEAL TC15 25 07, OIL	1								

Fig.15. COUNTER SHAFT

15. COUNTER SHAFT



OCNP3-G57400 15. COUNTER SHAFT

(A)=TE200

(B)=

(C)=

(D)=

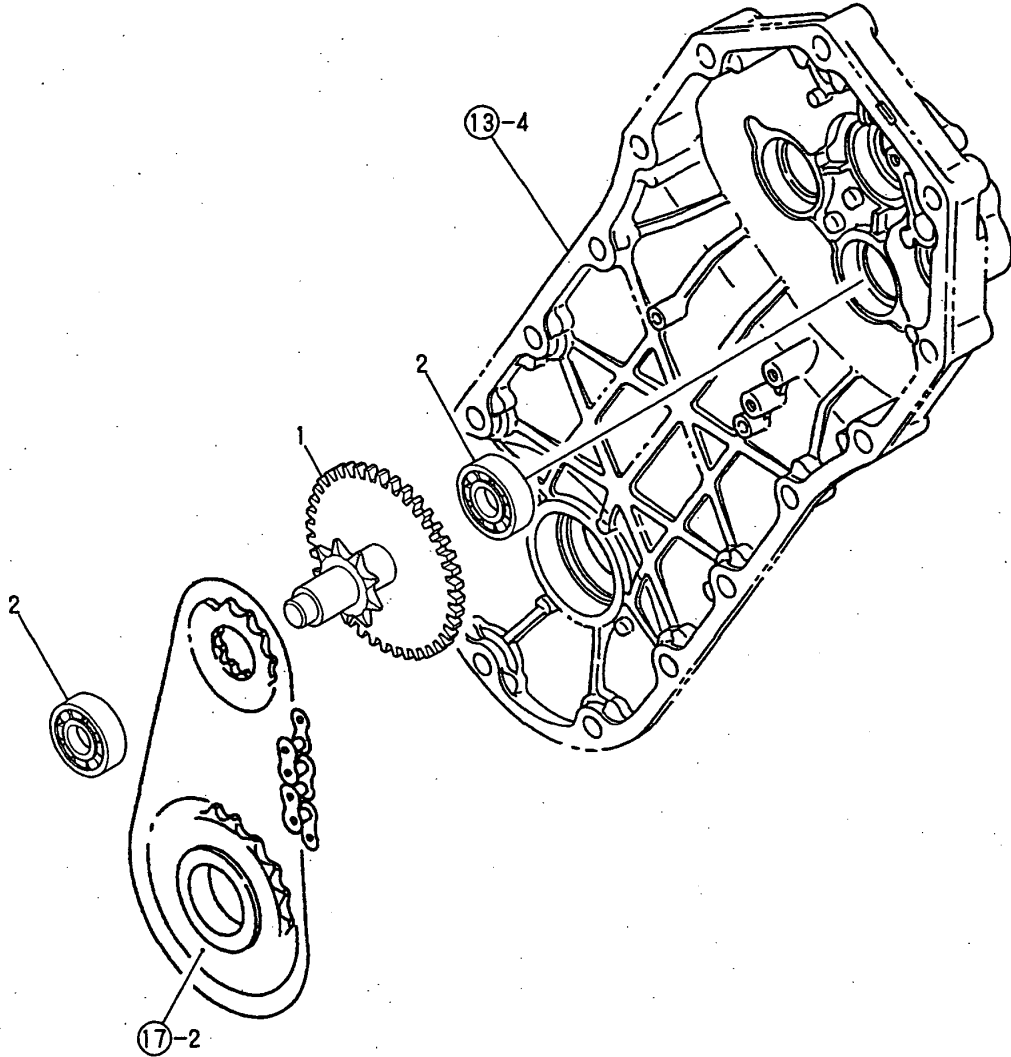
(E)=

(F)=

REF.	LEV.	PARTS NO.	DESCRIPTION	QTY						I	R
				(A)	(B)	(C)	(D)	(E)	(F)		
1	1	1A2191-23100	SHAFT COMP.,COUNTER	1							
2	1	24101-062014	BALL BEARING	2							

Fig.16. SPEED REDUCTION SHAFT

16. SPEED REDUCTION SHAFT



OCNP3-G57400 16. SPEED REDUCTION SHAFT

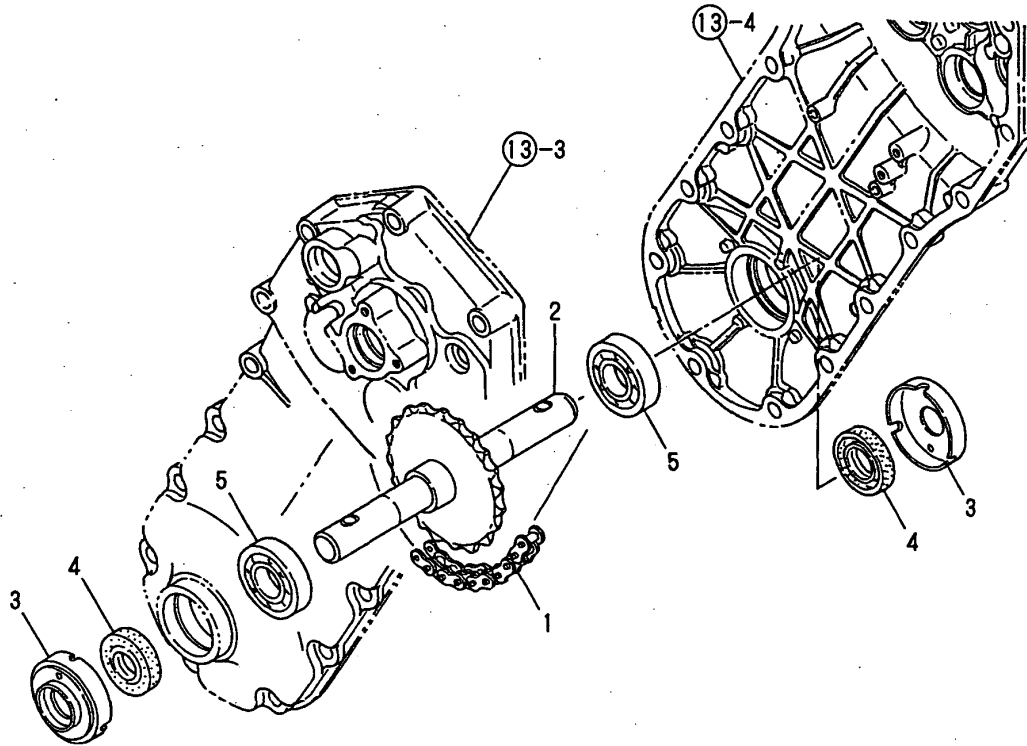
(A)=TE200
(B)=
(C)=

(D)=
(E)=
(F)=

REF.	LEV.	PARTS NO.	DESCRIPTION	QTY						I	R	
				(A)	(B)	(C)	(D)	(E)	(F)			
1	1	1A2191-23300	SHAFT COMP.,FINAL	1								
2	1	24101-062014	BALL BEARING	2								

Fig.17. AXLE

17. AXLE



OCNP3-G57400 17. AXLE

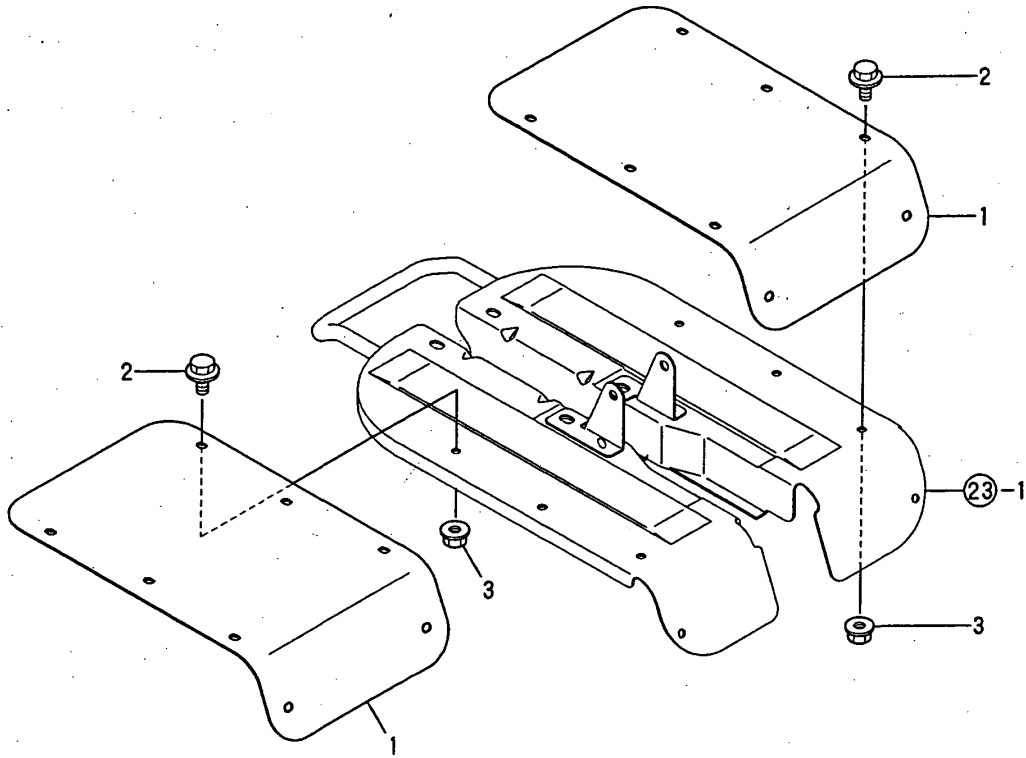
(A)=TE200
(B)=
(C)=

(D)=
(E)=
(F)=

REF.	LEV.	PARTS NO.	DESCRIPTION	QTY						I	R	
				(A)	(B)	(C)	(D)	(E)	(F)			
1	1	1A1750-20180	CHAIN 12.7X56,ROLLER	1								
2	1	1A1750-20201	AXLE COMPL.	1								
3	1	1A1750-20440	COVER.COMP,AXLE BOSS	2								
4	1	1A1750-20491	OIL SEAL 20 40 10	2								
5	1	24101-062044	BALL BEARING	2								

Fig.18. FENDER

18. FENDER



0CNP3-G57400 18. FENDER

(A)=TE200
(B)=
(C)=

(D)=
(E)=
(F)=

REF.	LEV.	PARTS NO.	DESCRIPTION	QTY						I	R
				(A)	(B)	(C)	(D)	(E)	(F)		
1	1	1A2191-32100	FENDER,EXTENSION	2							
2	1	26107-060122	BOLT M 6X 12 PLATED	8							
3	1	26367-060002	NUT M 6	8							

Fig.19. AXLE ROTOR

(A)=TE200

(B)=

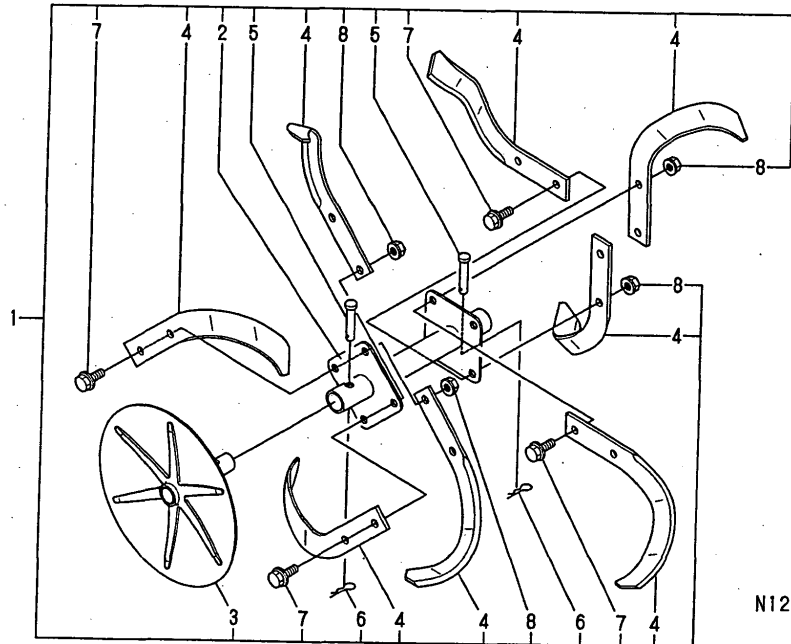
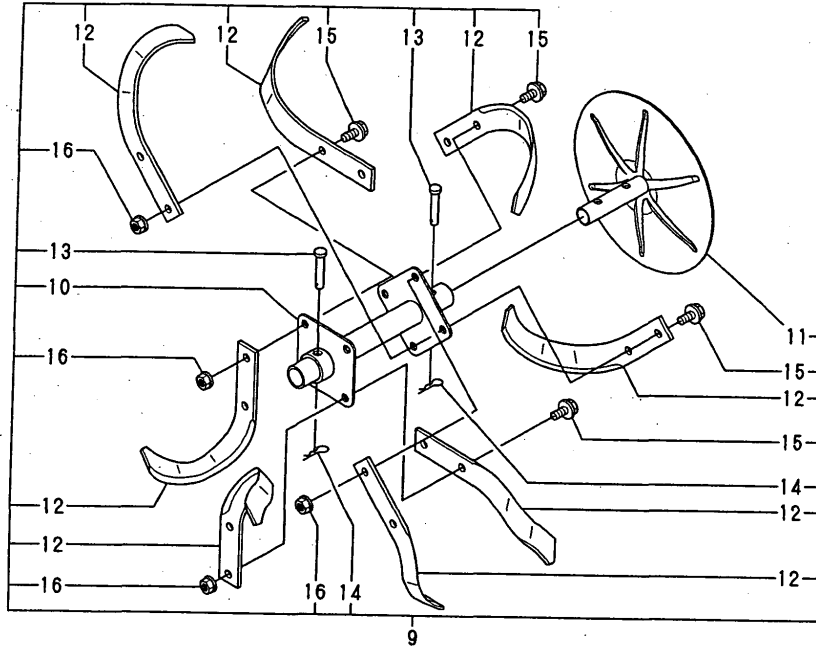
(C)=

(D)=

(E)=

(F)=

19. AXLE ROTOR

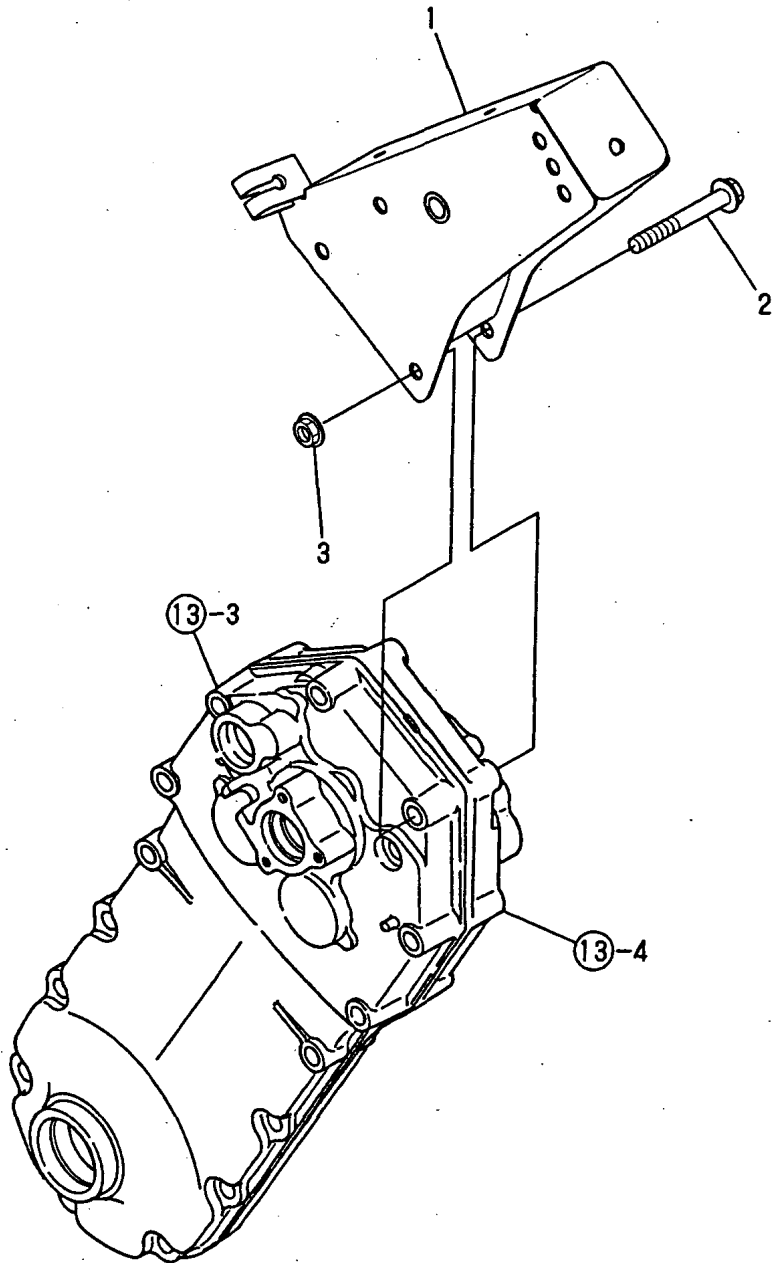


N128405

REF.	LEV.	PARTS NO.	DESCRIPTION	QTY						I	R
				(A)	(B)	(C)	(D)	(E)	(F)		
1	1	1A2191-35000	ROTOR L ASSY	1							
2	2	1A2191-35100	SHAFT CMP.,INTG.TINE	1							
3	2	1A2190-35300	DISC COMP., CLUTCH	1							
4	2	1A1540-43310	TAIN,ROTOR	8							
5	2	1A1540-46010	PIN 8X35,FLAT HEAD	2							
6	2	1A1540-46020	PIN 8,SNAP	2							
7	2	26107-080202	BOLT M 8X 20 PLATED	8							
8	2	26367-080002	U-NUT M 8	8							
9	1	1A2191-35050	ROTOR R ASSY	1							
10	2	1A2191-35100	SHAFT CMP.,INTG.TINE	1							
11	2	1A2190-35300	DISC COMP., CLUTCH	1							
12	2	1A1540-43310	TAIN,ROTOR	8							
13	2	1A1540-46010	PIN 8X35,FLAT HEAD	2							
14	2	1A1540-46020	PIN 8,SNAP	2							
15	2	26107-080202	BOLT M 8X 20 PLATED	8							
16	2	26367-080002	U-NUT M 8	8							

Fig.20. HANDLE COLUMN

20. HANDLE COLUMN



0CNP3-G57400 20. HANDLE COLUMN

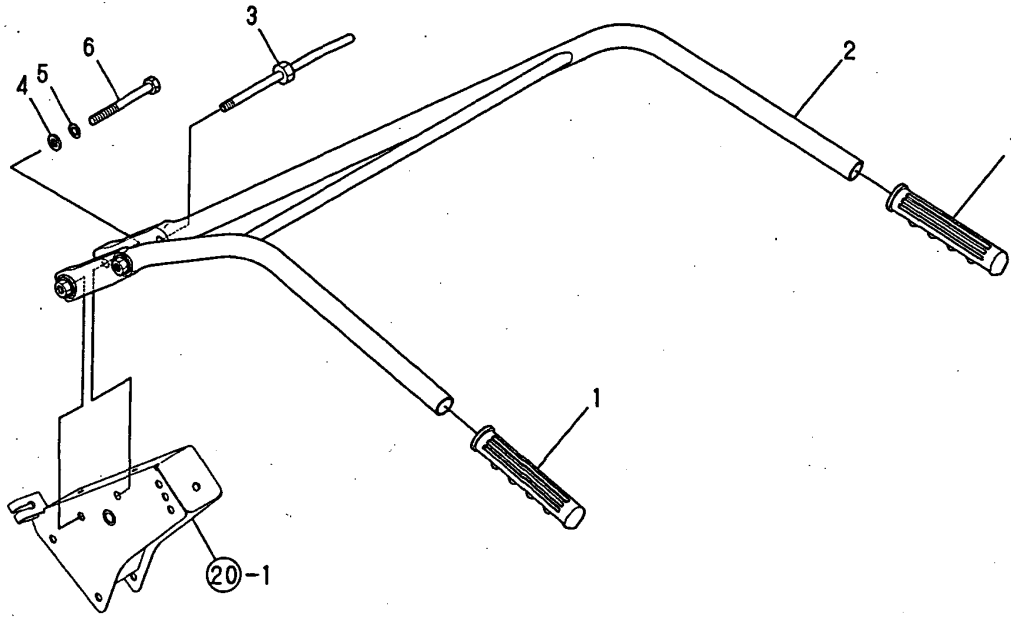
(A)=TE200
(B)=
(C)=

(D)=
(E)=
(F)=

REF.	LEV.	PARTS NO.	DESCRIPTION	Q'TY						I	R
				(A)	(B)	(C)	(D)	(E)	(F)		
1	1	1A2191-51000	FRAME COMP.,HANDLE	1							
2	1	26107-080602	BOLT M 8X 60 PLATED	2							
3	1	26367-080002	U-NUT M 8	2							

Fig.21. HANDLE

21. HANDLE



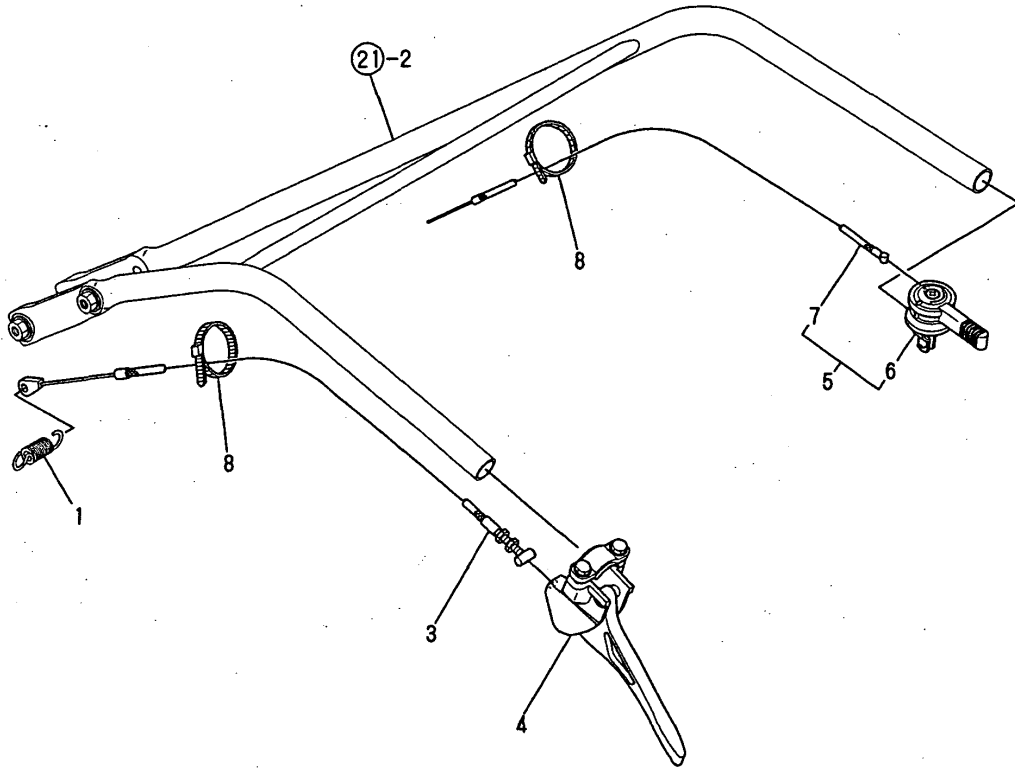
(A)=TE200
(B)=
(C)=

(D)=
(E)=
(F)=

REF.	LEV.	PARTS NO.	DESCRIPTION	QTY						I	R
				(A)	(B)	(C)	(D)	(E)	(F)		
1	1	1C6080-51310	GRIP,HANDLE	2							
2	1	1A2191-51500	HANDLE COMPL.	1							
3	1	1A2191-51600	BOLT COMP.,HANDLE	1							
4	1	22137-080000	WASHER 8, POLISHED	2							
5	1	22287-080000	LOCKING WASHER	2							
6	1	26117-080802	BOLT M 8X 80 PLATED	1							

Fig.22. COTROL LEVER(E)

22. CONTROL LEVER



OCNP3-G57400 22. COTROL LEVER(E)

(A)=TE200
(B)=
(C)=

(D)=
(E)=
(F)=

REF.	LEV.	PARTS NO.	DESCRIPTION	Q'TY						I	R	
				(A)	(B)	(C)	(D)	(E)	(F)			
1	1	1A1400-16000	SPRING 17.2X59	1								
I 2	1	1A2191-55500	SPRING,ACCEL.RETURN	1							Z	1
		(A='FORM 1ST)										
I 2-1	1	1A2191-55501	SPRING,ACCEL.RETURN	1								S
		(A=F002336)										
3	1	1A2191-55520	WIRE,MAIN CLUTCH	1								
4	1	1A2191-55550	LEVER,CLUTCH	1								
5	1	1A2191-55570	LEVER ASSY.,ACCEL.	1								
6	2	1A2191-55581	LEVER,ACCELERATOR	1								
7	2	1A2191-55590	WIRE ACCELE	1								
8	1	1A2320-55600	BAND, CABLE	2								

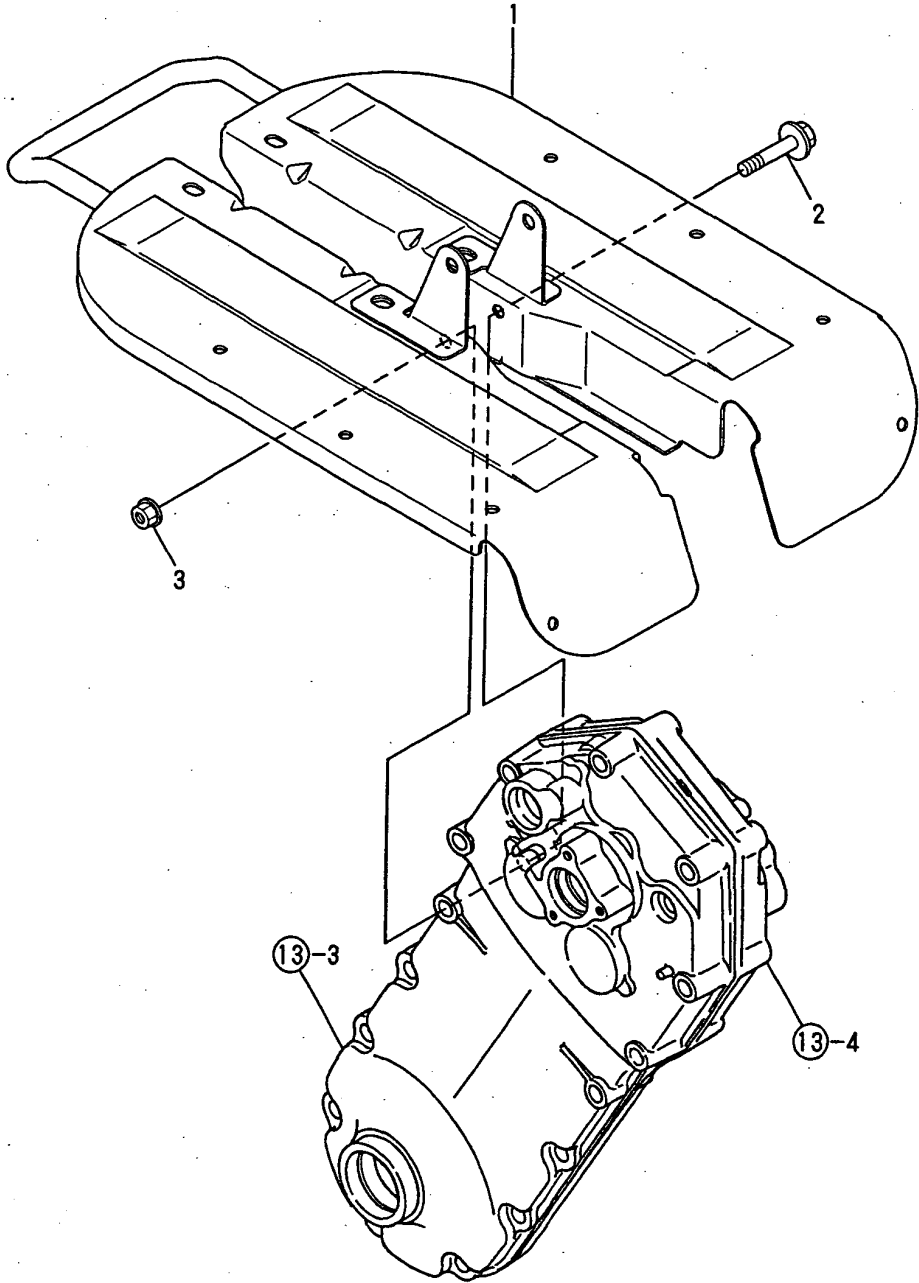
Remarks

(1)NOT ILLUSTRATED.

N:Old $\xrightarrow{\text{Yes}}$ New, Q:Old $\xrightarrow{\text{No}}$ New, R:Old $\xrightarrow{\text{Yes}}$ New, S:Old $\xrightarrow{\text{No}}$ New, W:Add, Z:Discontinued, F:Interchangeable by set, K:Q'ty Change

Fig.23. ENGINE FRAME

23. ENGINE FRAME



0CNP3-G57400 23. ENGINE FRAME

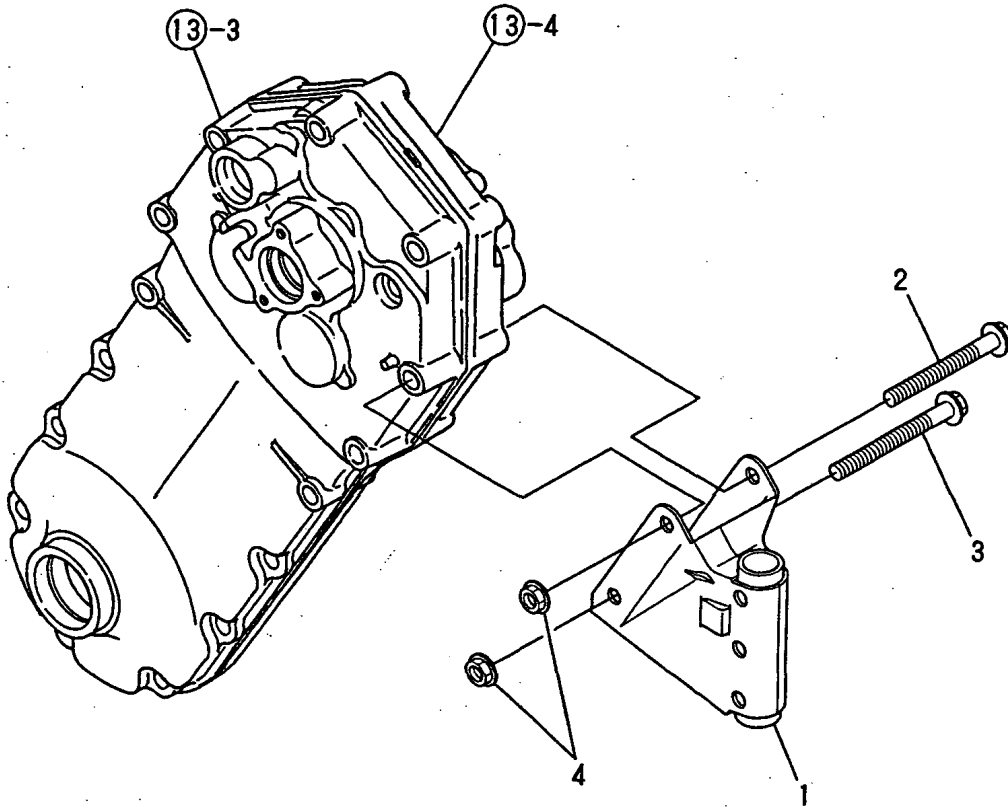
(A)=TE200
(B)=
(C)=

(D)=
(E)=
(F)=

REF.	LEV.	PARTS NO.	DESCRIPTION	QTY						I	R	
				(A)	(B)	(C)	(D)	(E)	(F)			
1	1	1A2191-61200	FRAME COMP.,FENDER	1								
2	1	26107-080452	BOLT M 8X 45 PLATED	1								
3	1	26367-080002	U-NUT M 8	1								

Fig.24. REAR HITCH

24. REAR HITCH



0CNP3-G57400 24. REAR HITCH

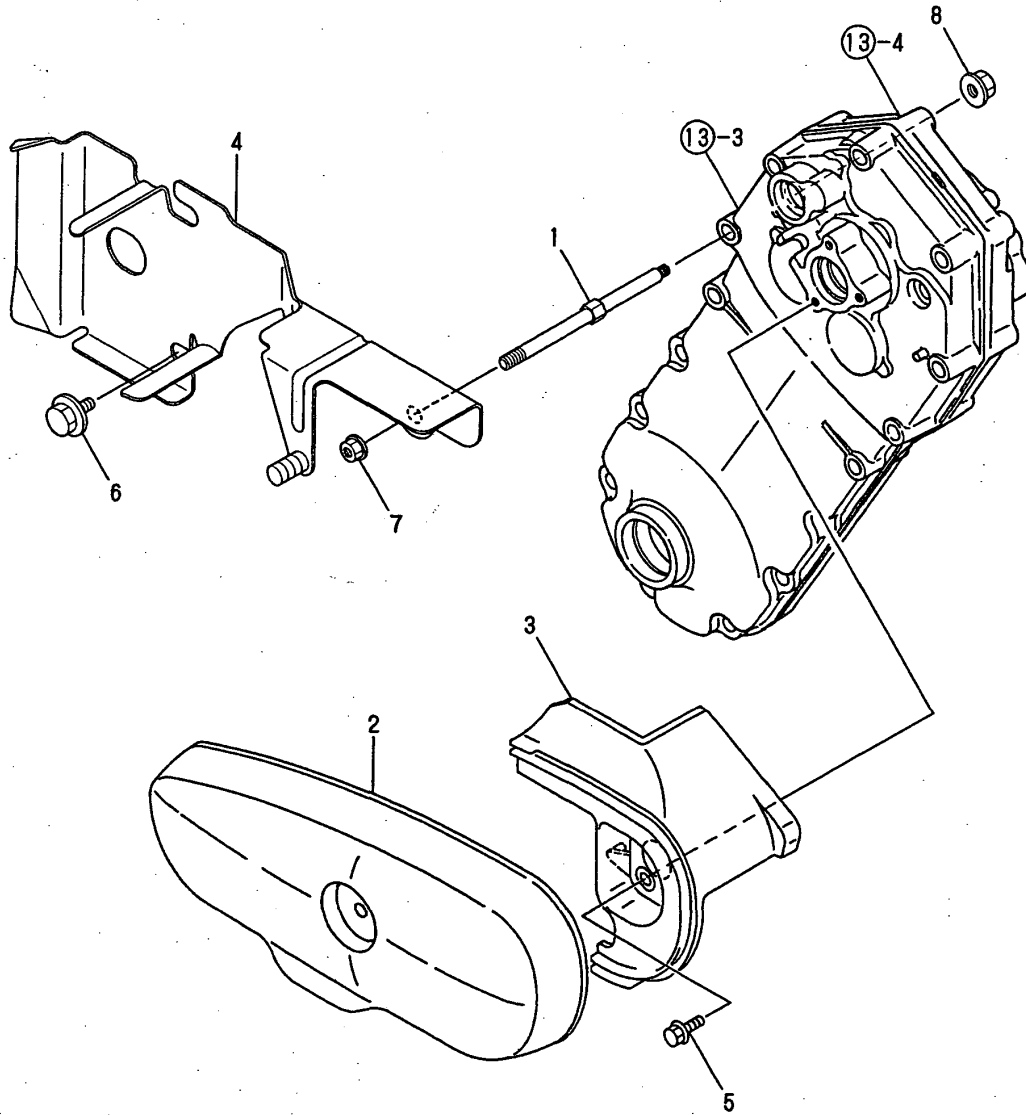
(A)=TE200
(B)=
(C)=

(D)=
(E)=
(F)=

REF.	LEV.	PARTS NO.	DESCRIPTION	Q'TY						I	R
				(A)	(B)	(C)	(D)	(E)	(F)		
1	1	1A1750-60500	HITCH COMPL	1							
2	1	26107-080702	BOLT M 8X 70 PLATED	1							
3	1	26107-080752	BOLT M8X75 PLATED	1							
4	1	26367-080002	U-NUT M 8	2							

Fig.25. BELT COVER

25. BELT COVER



OCNP3-G57400 25. BELT COVER

(A)=TE200

(B)=

(C)=

(D)=

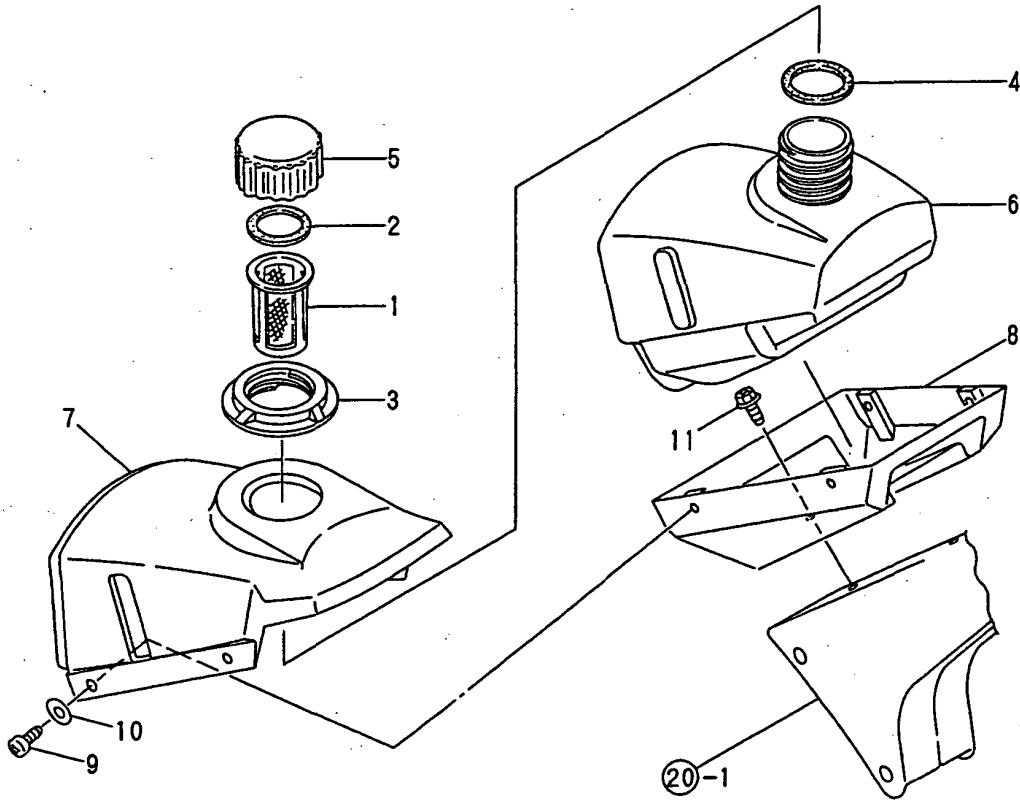
(E)=

(F)=

REF.	LEV.	PARTS NO.	DESCRIPTION	QTY						I	R	
				(A)	(B)	(C)	(D)	(E)	(F)			
1	1	1A2191-13700	BOLT,TENSION	1								
2	1	1A2190-62000	BELT COVER	1								
3	1	1A2190-62300	COVER, FLYWHEEL	1								
4	1	1A2191-63000	SUPPORT COMPL.	1								
5	1	1A1750-90200	SCREW 6X12,COLLAR HD	3								
6	1	26107-080122	BOLT M 8X 12 PLATED	3								
7	1	26367-060002	NUT M 6	1								
8	1	26367-080002	U-NUT M 8	1								

Fig.26. FUEL TANK

26. FUEL TANK



OCNP3-G57400 26. FUEL TANK

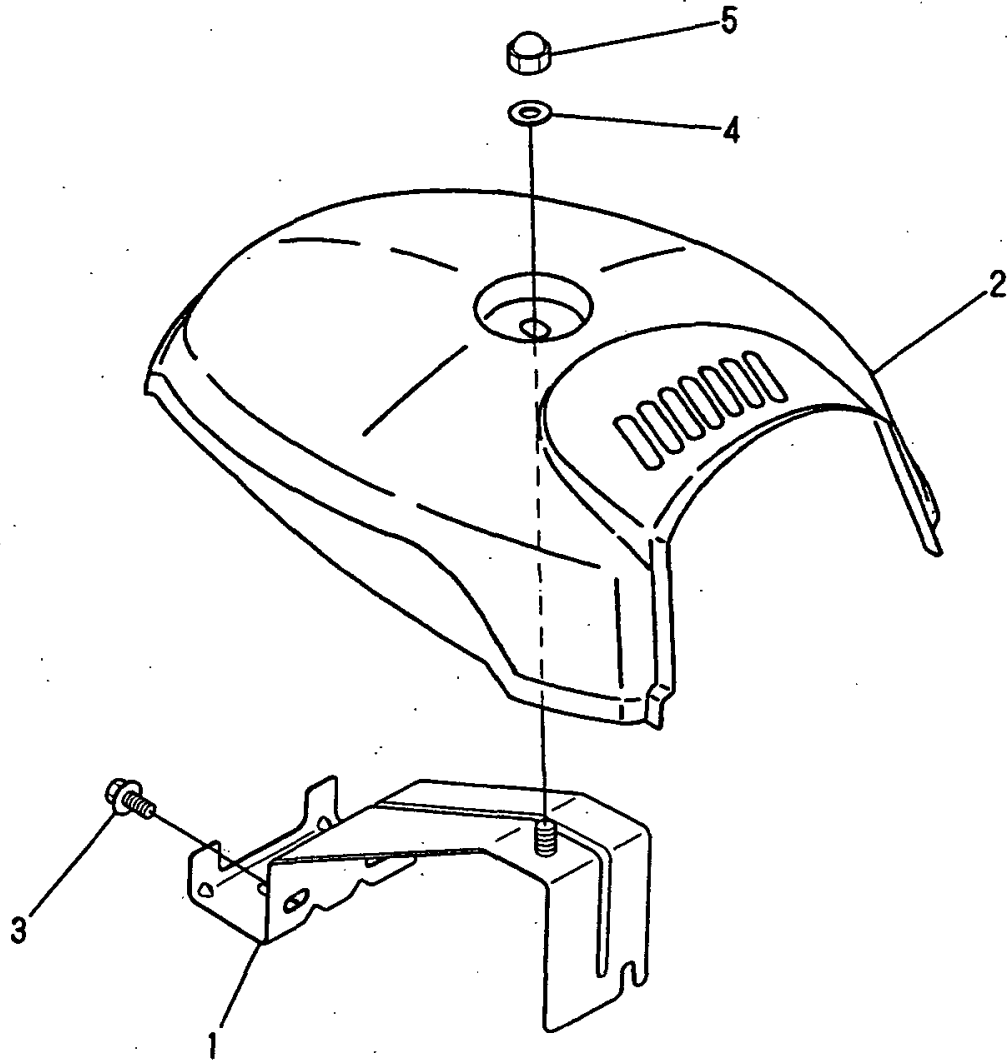
(A)=TE200
(B)=
(C)=

(D)=
(E)=
(F)=

REF.	LEV.	PARTS NO.	DESCRIPTION	QTY						I	R
				(A)	(B)	(C)	(D)	(E)	(F)		
1	1	1D2042-41200	STRAINER,FUEL	1							
2	1	1D2040-48010	PACKING,FUEL TK.CAP	1							
3	1	1A1540-62110	RING,MOUNTING	1							
4	1	1A1540-62140	CUSHION,TANK	1							
5	1	1A1540-62170	CAP,FUEL TANK	1							
6	1	1A2190-63010	TANK, FUEL	1							
7	1	1A2190-63050	COVER, HANDLE	1							
8	1	1A2190-63100	COVER,FUEL TANK LOWR	1							
9	1	1A2190-63150	SCREW M5X10,TAPPING	4							
10	1	1A1750-90150	WASHER 5,PLAIN	4							
11	1	1A1750-90200	SCREW 6X12,COLLAR HD	2							

Fig.27. BONNET W

27. BONNET



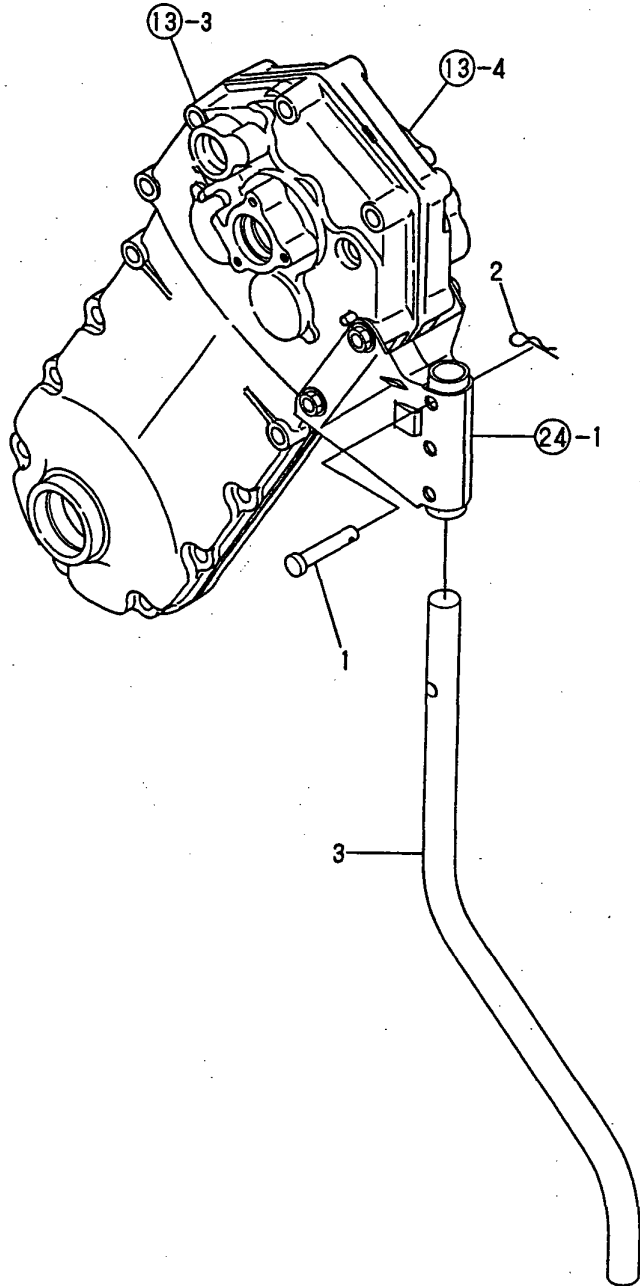
(A)=TE200
(B)=
(C)=

(D)=
(E)=
(F)=

REF.	LEV.	PARTS NO.	DESCRIPTION	Q'TY						I	R
				(A)	(B)	(C)	(D)	(E)	(F)		
1	1	1A2191-64001	STAY COMP.,BONNET	1							
2	1	1A2190-64010	BONNET GA	1							
3	1	1A1750-90200	SCREW 6X12,COLLAR HD	2							
4	1	22137-080000	WASHER 8, POLISHED	1							
5	1	26658-080002	CAP NUT M 8	1							

Fig.28. SKID

28. SKID



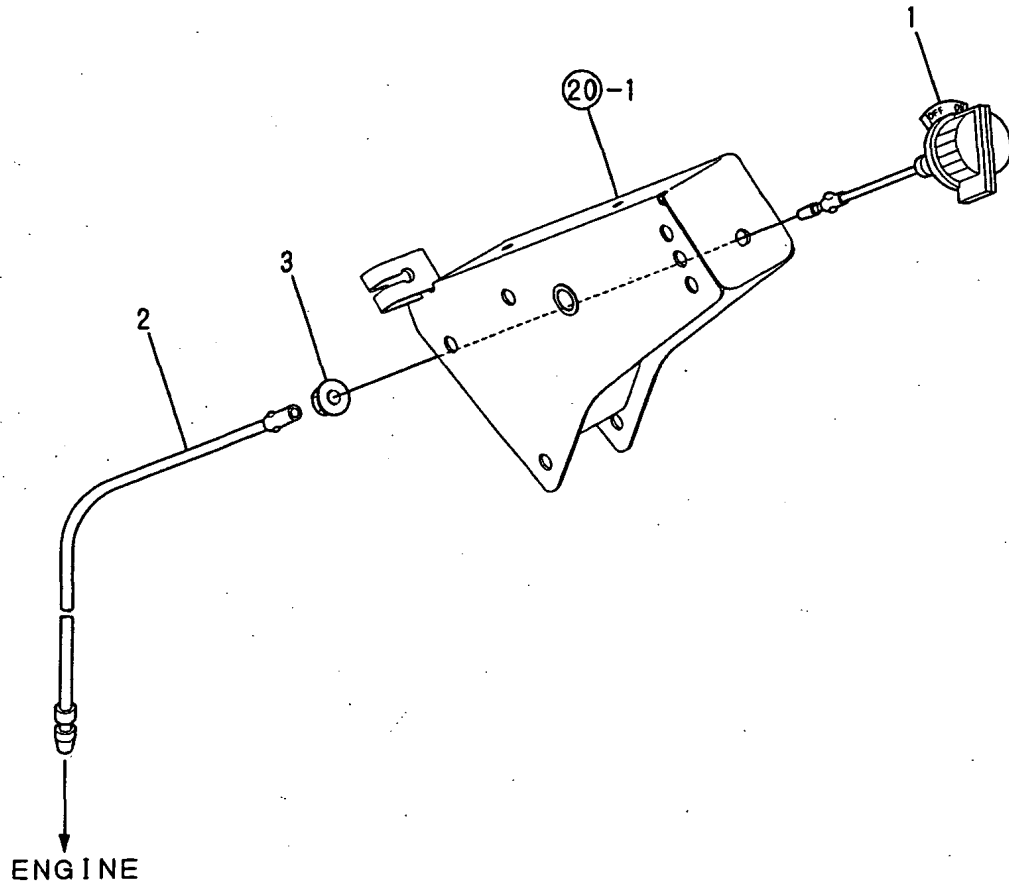
(A)=TE200
(B)=
(C)=

(D)=
(E)=
(F)=

REF.	LEV.	PARTS NO.	DESCRIPTION	QTY						I	R
				(A)	(B)	(C)	(D)	(E)	(F)		
1	1	1A1540-46010	PIN 8X35,FLAT HEAD	1							
2	1	1C6141-47970	SNAP PIN 8	1							
3	1	1A1750-70000	BAR,RESISTANCE	1							

Fig.29. ELECTRICAL PARTS

29. ELECTRICAL PARTS



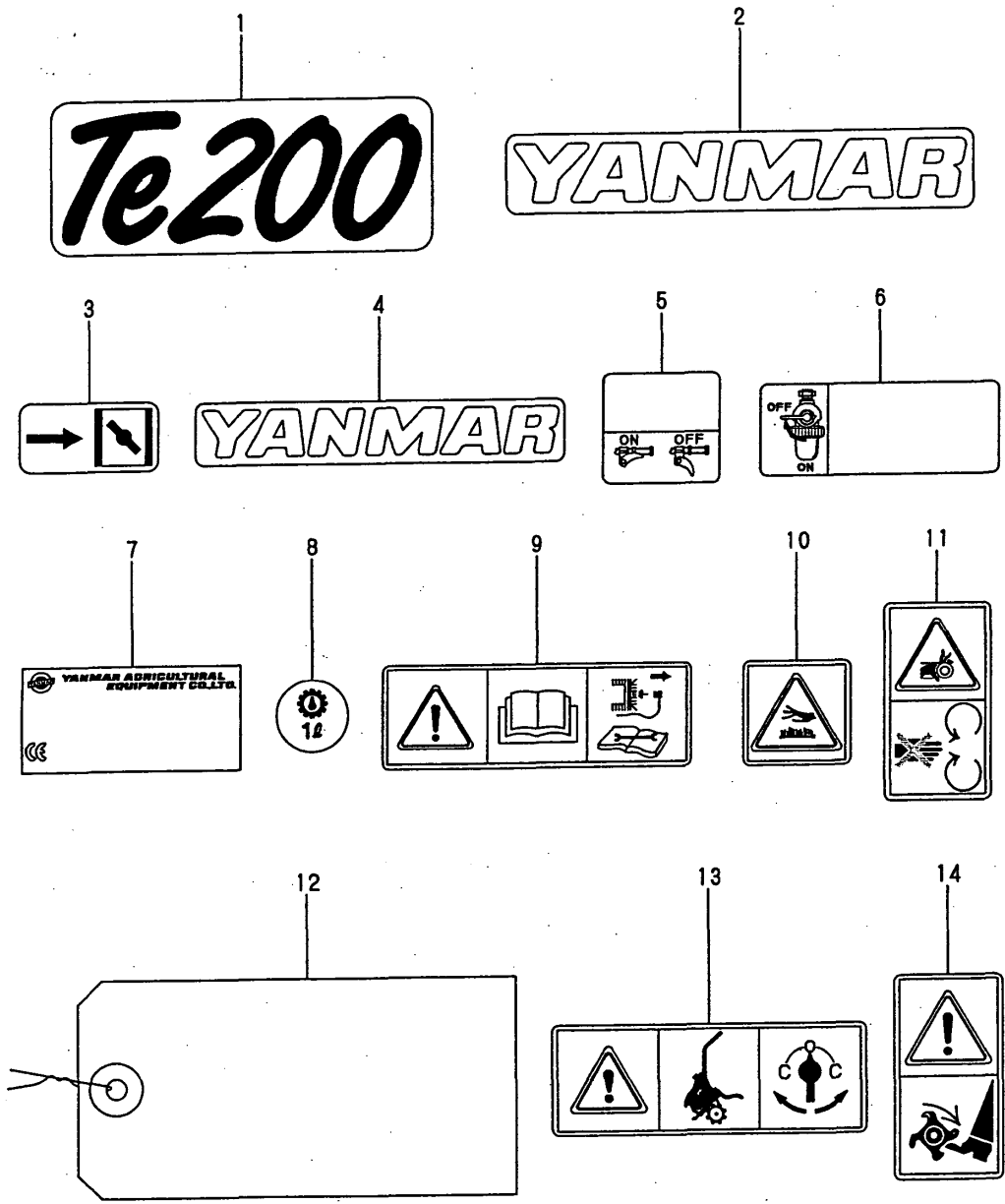
(A)=TE200
(B)=
(C)=

(D)=
(E)=
(F)=

REF.	LEV.	PARTS NO.	DESCRIPTION	QTY						I	R
				(A)	(B)	(C)	(D)	(E)	(F)		
1	1	1A1750-40800	SWITCH,STOP	1							
2	1	1A2000-83100	CORD,STOP SWITCH	1							
3	1	26367-080002	U-NUT M 8	1							

Fig.30. LABELS

30. LABELS



0CNP3-G57400 30. LABELS

(A)=TE200

(B)=

(C)=

(D)=

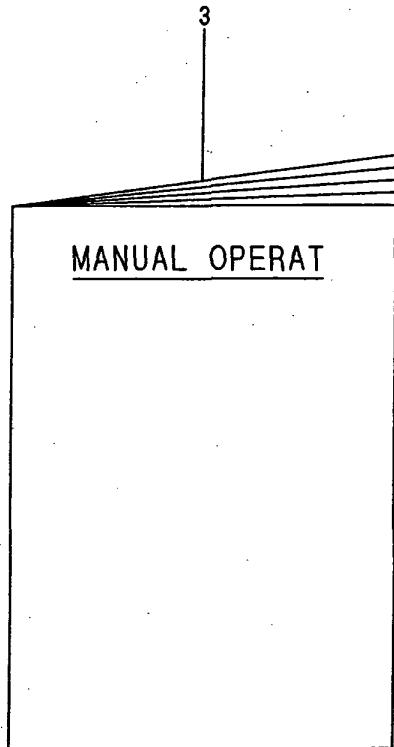
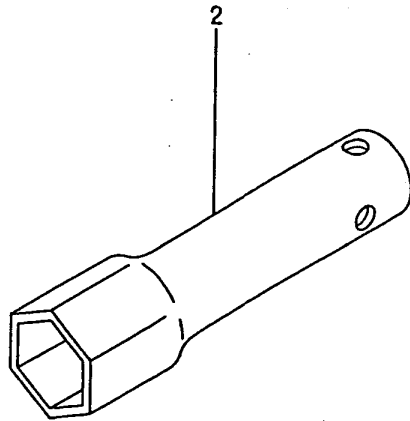
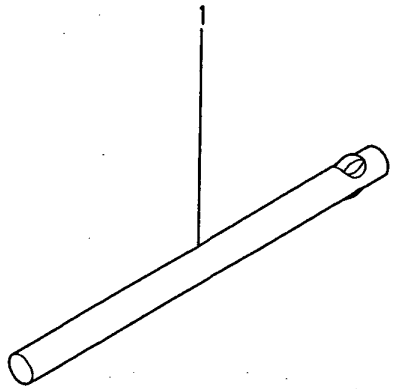
(E)=

(F)=

REF.	LEV.	PARTS NO.	DESCRIPTION	QTY						I	R
				(A)	(B)	(C)	(D)	(E)	(F)		
1	1	1A2191-86000	LABEL,MODEL	1							
2	1	1A2150-86080	LABEL,FRONT MASK	1							
3	1	1A2191-86200	LABEL,CHOKE	1							
4	1	1A2130-86320	LABEL,FUEL TANK	1							
5	1	1A2099-86340	LABEL,MAIN CLUTCH	1							
6	1	1A2099-86360	LABEL,FUEL COCK	1							
8	1	1A2138-86701	LABEL '1',OIL	1							
9	1	1A2199-86700	MARK,HANDLING CAUT'N	1							
10	1	1A2199-86720	MARK,HI-TEMP.CAUTION	1							
11	1	1A2199-86840	MARK,BELT CVR.CAUT'N	1							
13	1	1A2191-86900	MARK,COCK CAUTION	1							
14	1	1A2199-86900	MARK,ROTARY CAUTION	1							

Fig.31. TOOLS & ACCESSORIES

31. TOOLS & ACCESSORIES



(A)=TE200
(B)=
(C)=

(D)=
(E)=
(F)=

REF.	LEV.	PARTS NO.	DESCRIPTION	Q'TY						I	R	
				(A)	(B)	(C)	(D)	(E)	(F)			
1	1	1A2320-87000	BAR,WRENCH	1								
2	1	28227-191400	BOX WRENCH	1								

Part Number Index

All parts are stipulated in the order of part numbers.

(Depending on the area in which the part is used.)

This index will display the location of the part according to each part number.

PARTS No. INDEX

PARTS No.	Fig.	Ref.No.
104200-59170	1	15
106990-44660	7	9
124722-59050	7	8
160120-76940	5	17
	9	14
160490-11120	4	4
160490-56590	8	12
160490-56600	8	16
160495-56600	8	15
160510-02220	2	2
160510-03180	1	22
160510-56151	4	15
160510-56280	8	24
160510-56610	8	11
160510-56620	8	13
160510-56680	8	7
160510-56770	8	17
160510-56800	8	14
160520-07272	3	4
160520-12540	4	12
160520-12550	4	13
160520-66291	9	10
160520-78050	6	26
160560-01740	1	10
160560-78010	6	22
160580-56760	8	4
160590-56771	8	10
160610-01690	1	9
160610-04360	1	13
160610-04390	1	23
160610-04570	1	14
		25
160610-21290	2	7
160610-55390	7	7
160610-56370	8	20
160610-56750	8	21
160610-56900	8	23
160610-59160	7	11
160610-61100	5	10
160610-61300	5	11
160660-11010	4	1
160660-22010	2	9
160662-03010	1	18
160662-03070	1	21
160662-12500	4	7
160662-12510	4	9
160662-12620	4	8
160662-13520	4	17
160662-13550	4	18
160662-45110	6	2

PARTS No.	Fig.	Ref.No.
160662-55300	7	1
160662-56021	8	3
160662-56520	8	18
160662-66010	9	1
160662-66100	9	2
160662-66110	9	8
160662-66120	9	9
160662-66150	9	17
160664-01011	1	1
160664-01340	1	6
160664-01401	1	7
160664-01411	1	8
160664-02100	2	1
160664-07110	3	3
160664-11100	4	2
160664-11110	4	3
160664-11180	4	6
160664-13201	4	16
160664-14200	5	9
160664-14550	5	6
160664-14560	5	7
160664-21250	2	20
160664-22300	2	15
160664-22471	2	21
160664-22481	2	27
160664-23201	2	19
160664-45010	6	1
160664-45200	6	3
160664-56151	8	1
160664-56160	8	2
160664-56741	8	6
160664-61310	5	12
160664-61600	5	13
160664-66200	9	18
160664-66211	9	19
160664-66220	9	12
160664-76050	6	7
160664-76260	6	8
160664-76510	6	9
160664-76520	6	10
160664-76530	6	11
160664-76580	6	13
160664-76590	6	20
160664-76610	6	17
160664-76620	6	18
160664-76630	6	19
160667-14100	5	1
160667-56630	8	8
160667-76540	6	12
160667-76550	6	16

PARTS No.	Fig.	Ref.No.
160667-76560	6	14
160667-76570	6	15
160667-78060	6	23
160667-78510	6	24
160670-66350	9	13
160692-66051	9	3
160693-59350	7	12
160700-78050	6	29
160700-78720	6	27
160710-55360	7	4
160710-55370	7	5
160710-55382	7	6
160710-56710	8	5
160710-78710	6	30
160991-07260	3	2
160999-78970	4	19
181130-56640	8	19
181230-56380	8	22
1A1400-16000	22	1
1A1470-20090	13	1
1A1540-43310	19	4
		12
1A1540-46010	19	5
		13
	28	1
1A1540-46020	19	6
		14
1A1540-62110	26	3
1A1540-62140	26	4
1A1540-62170	26	5
1A1750-20180	17	1
1A1750-20201	17	2
1A1750-20410	13	2
1A1750-20440	17	3
1A1750-20491	17	4
1A1750-40800	29	1
1A1750-60500	24	1
1A1750-70000	28	3
1A1750-90150	26	10
1A1750-90200	25	5
	26	11
	27	3
1A2000-83100	29	2
1A2099-86340	30	5
1A2099-86360	30	6
1A2130-86320	30	4
1A2138-86701	30	8
1A2150-86080	30	2
1A2190-12100	11	1
1A2190-12110	11	2

PARTS No.	Fig.	Ref.No.
1A2190-13300	11	8
1A2190-21000	13	3
1A2190-21010	13	4
1A2190-35300	19	3
		11
1A2190-62000	25	2
1A2190-62300	25	3
1A2190-63010	26	6
1A2190-63050	26	7
1A2190-63100	26	8
1A2190-63150	26	9
1A2190-64010	27	2
1A2191-13401	12	2
1A2191-13610	12	3
1A2191-13700	12	4
	25	1
1A2191-23050	14	1
1A2191-23100	15	1
1A2191-23300	16	1
1A2191-32100	18	1
1A2191-35000	19	1
1A2191-35050	19	9
1A2191-35100	19	2
		10
1A2191-51000	20	1
1A2191-51500	21	2
1A2191-51600	21	3
1A2191-55500	22	2
1A2191-55501	22	2 -1
1A2191-55520	22	3
1A2191-55550	22	4
1A2191-55570	22	5
1A2191-55581	22	6
1A2191-55590	22	7
1A2191-61200	23	1
1A2191-63000	25	4
1A2191-64001	27	1
1A2191-86000	30	1
1A2191-86200	30	3
1A2191-86900	30	13
1A2199-86700	30	9
1A2199-86720	30	10
1A2199-86840	30	11
1A2199-86900	30	14
1A2320-13100	12	1
1A2320-55600	22	8
1A2320-87000	31	1
1C6080-51310	21	1
1C6141-47970	28	2
1D1630-51050	11	4

MODEL : TE200(
PC NO : 0CNP3-G57400

PARTS No. INDEX

PARTS No.	Fig.	Ref.No.
1D1630-51050	11	9
1D2040-48010	26	2
1D2042-41200	26	1
760660-22500	2	11
760664-21710	2	3
760664-22541	2	23
760664-22551	2	29
760664-23710	2	17

PARTS No.	Fig.	Ref.No.
-----------	------	---------

PARTS No.	Fig.	Ref.No.
-----------	------	---------

PARTS No.	Fig.	Ref.No.
-----------	------	---------



YANMAR CO.,LTD.